



# SERVICE MANUAL

## HRG18xxS1P



This is a safety alert symbol and should never be ignored. When you see this symbol on labels or in manuals, be alert to the potential for personal injury or death.



### Table of Contents

Technical Specifications .....	2
Parts Arrangement.....	5
General.....	8
Installation .....	8
Refrigerant Piping.....	10
Electrical - Circuit Sizing and Wire Routing .....	19
Thermostat Control and Low Voltage Control Wiring	19
Outdoor Unitary Control.....	23
Unit Operation .....	25
Servicing Units Delivered Void of Charge.....	29
Unit Start-Up.....	29
System Operation and Service.....	30
Configuring Unit.....	45
Maintenance .....	46
Homeowner Information .....	46
Wiring Diagram.....	48
Unit Sequence of Operation .....	49
Component Testing.....	53

### WARNING

Improper installation, adjustment, alteration, service or maintenance can cause property damage, personal injury or loss of life. Installation and service must be performed by a licensed professional HVAC installer (or equivalent), service agency or the gas supplier.

### WARNING



Electric shock hazard.  
Can cause injury or death. Before attempting to perform any service or maintenance, turn the electrical power to unit OFF at disconnect switch(es). Unit may have multiple power supplies.

### CAUTION

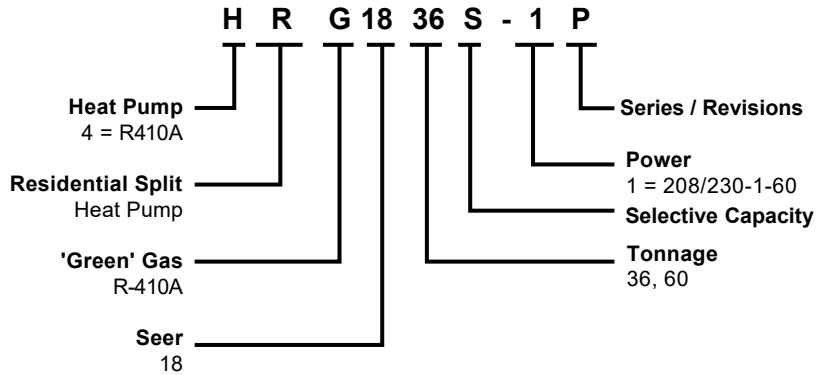
As with any mechanical equipment, contact with sharp sheet metal edges can result in personal injury. Take care while handling this equipment and wear gloves and protective clothing.



(P) 508206-01

**Technical Specifications**

**MODEL NUMBER GUIDE**



**ELECTRICAL AND PHYSICAL DATA**

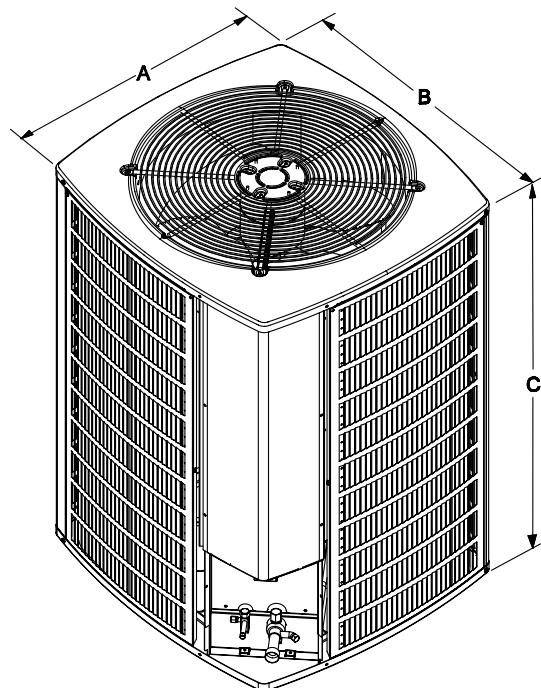
Model	Voltage/Hz/Phase	Voltage Range	Min. Circuit Amp.	Max. Over Current Device (amps)	Compressor	Outdoor Fan Motor			Shipping Weight (lbs.)
					Input Amps	Full Load (amps)	Rated HP	Nom. RPM	
HRG1836S1P	208-230/60/1	197-253	21.9	35	15.3	2.8	1/3	VAR. SPD	215
HRG1860S1P	208-230/60/1	197-253	33.7	50	24.7	2.8	1/3	VAR. SPD	272

*Note:*  
Weights listed are unit weights with packaging  
+ Factory charged for 15 feet of line set; adjust per installation instructions

**DIMENSIONS (IN.)**

Model No.	Dimensions (inch)		
	A - Width	B - Depth	C - Height
HRG1836S1P	29.38	31.25	33.75
HRG1860S1P	29.38	31.25	43.75

*Note:*  
Dimensions listed are unit sizes w/o packaging



## SOUND RATINGS

Model	Sound Power <sup>1</sup>	Estimated Sound Pressure (dBA) <sup>2</sup>		
		Approximate Distance <sup>3</sup>		
		One Meter (3.3 feet)	Two Meters (6.6 feet)	Three Meters (9.8 feet)
HRG1836S1P (2 TON MODE)	72	64	58	54
HRG1836S1P (3 TON MODE)	74	66	60	56
HRG1860S1P (4 TON MODE)	74	66	60	56
HRG1860S1P (5 TON MODE)	79	71	65	61

<sup>1</sup> Rated in accordance with AHRI standard 270 (2015)

<sup>2</sup> Rated in accordance with AHRI standard 275 (2010)

<sup>3</sup> Based only on distance factor; other factors may change this value such as:

- Unit location (reflective surfaces adjacent to the unit)
- Barrier shielding sources
- Sound path/elevation
- Outside noise sources

## REFRIGERATION DATA

Model	Factory Refrig. Charge (oz.) *	TXV	Refrigerant Line Size		Outdoor Unit Connection		Indoor Unit Connection	
			Suction	Liquid	Suction	Liquid	Suction	Liquid
HRG1836S1P (2 TON MODE)	138	H4TXV01	3/4	3/8	3/4	3/8	3/4	3/8
HRG1836S1P (3 TON MODE)	138	H4TXV02	3/4	3/8	3/4	3/8	3/4	3/8
HRG1860S1P (4 TON MODE)	186	H4TXV02	7/8	3/8	7/8	3/8	7/8	3/8
HRG1860S1P (5 TON MODE)	186	H4TXV03	1-1/8	3/8	7/8	3/8	7/8	3/8

\* Factory charged for 15 feet of line set; adjust per installation instructions

Refrigerant charge also varies with indoor unit; refer to refrigerant charge label

## COOLING PERFORMANCE WITH DTC<sup>1</sup>

Outdoor Model	Indoor Model	Cooling				Heating				High CFM	Med CFM	Low CFM	
		SEER	EER	AHRI Rated Capacity <sup>2</sup>	Sensible Capacity	HSPF	47°		17°				
							Btuh	COP	Btuh				COP
HRG1836S1P	HCG36V1P	19.0	12.0	34400	27200	9.6	33400	3.30	21400	2.40	1200	820	820
HRG1860S1P	HCG60V1P	16.0	10.0	55500	40600	9.0	55500	2.82	37000	2.14	1800	1200	1200

Note:

<sup>1</sup> DTC = Designated tested combination

<sup>2</sup> Certified in accordance with Unitary Air Conditioner Certification Program, which is based on AHRI Standard 210/240 3 A blower time delay relay is standard on all Comfort-Aire or Century furnace and air handler products

For the latest AHRI system matches,  
please visit [www.marsdeliversratings.com](http://www.marsdeliversratings.com)  
or [AHRIdirectory.org](http://AHRIdirectory.org)

**ACCESSORIES**

Description	Where Used	Kit Number	Purpose
TXV Kit	HRG1836S1P (2 Ton mode)	H4TXV01	TXVs provide superior refrigerant flow control, comfort and efficiency
	HRG1836S1P (3 Ton Mode) HRG1860S1P (4 Ton Mode)	H4TXV02	
	HRG1860S1P (5 Ton mode)	H4TXV03	
Crankcase heater	All models	Factory installed	Prevents liquid migration to compressor in cold weather
Sound Blanket	All models	Factory installed	Lowers compressor sound level
Short Cycle Protector	All models	Control Board Feature	Protects compressor from short cycling.
Liquid Line Solenoid	All models	60M52	Prevents liquid migration to the compressor especially for high liquid riser applications
Freezestat	3/8 tubing	93G35	Protects the compressor at low suction pressure conditions

Parts Arrangement

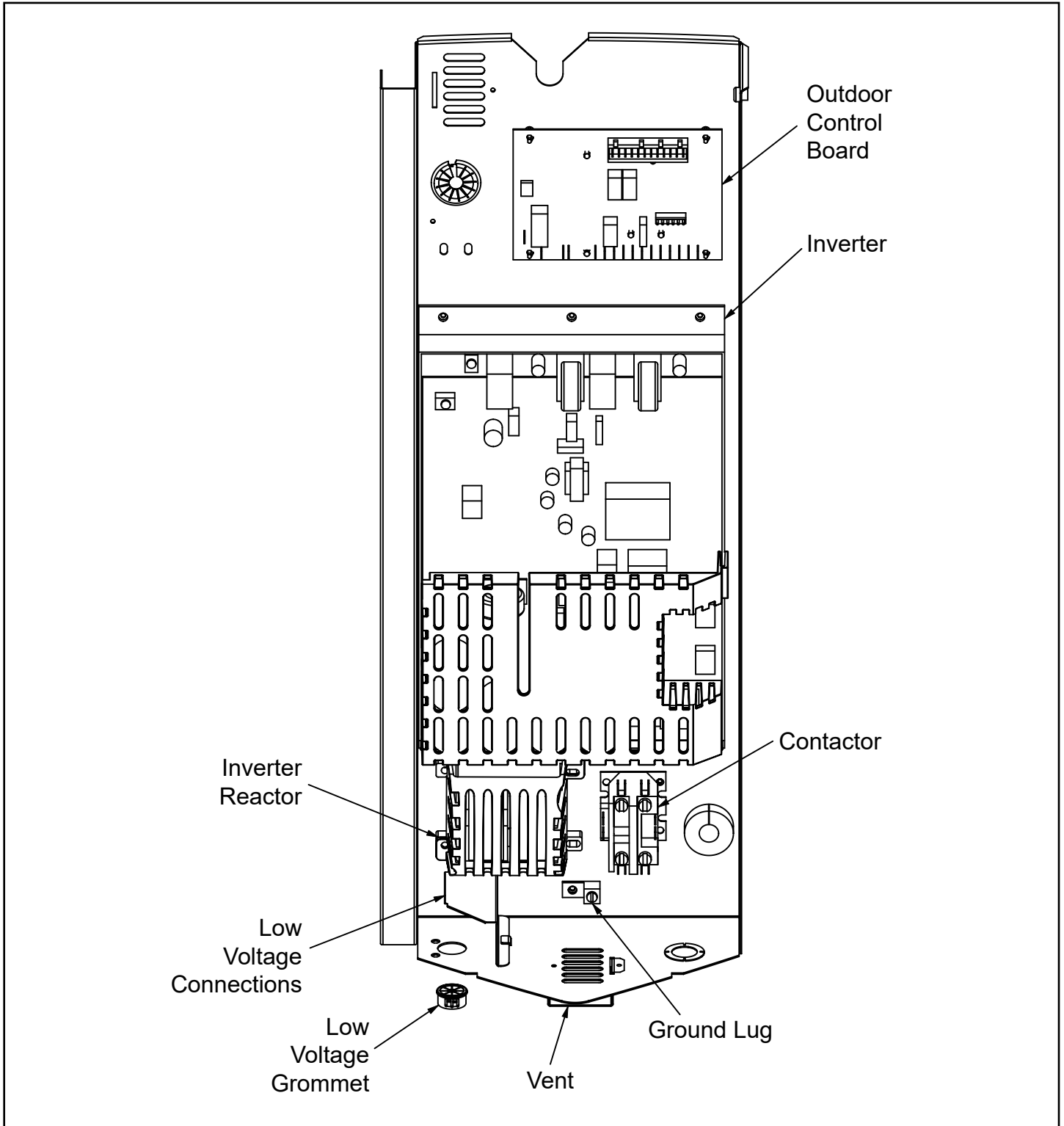


Figure 1. Parts Arrangement - Control Panel

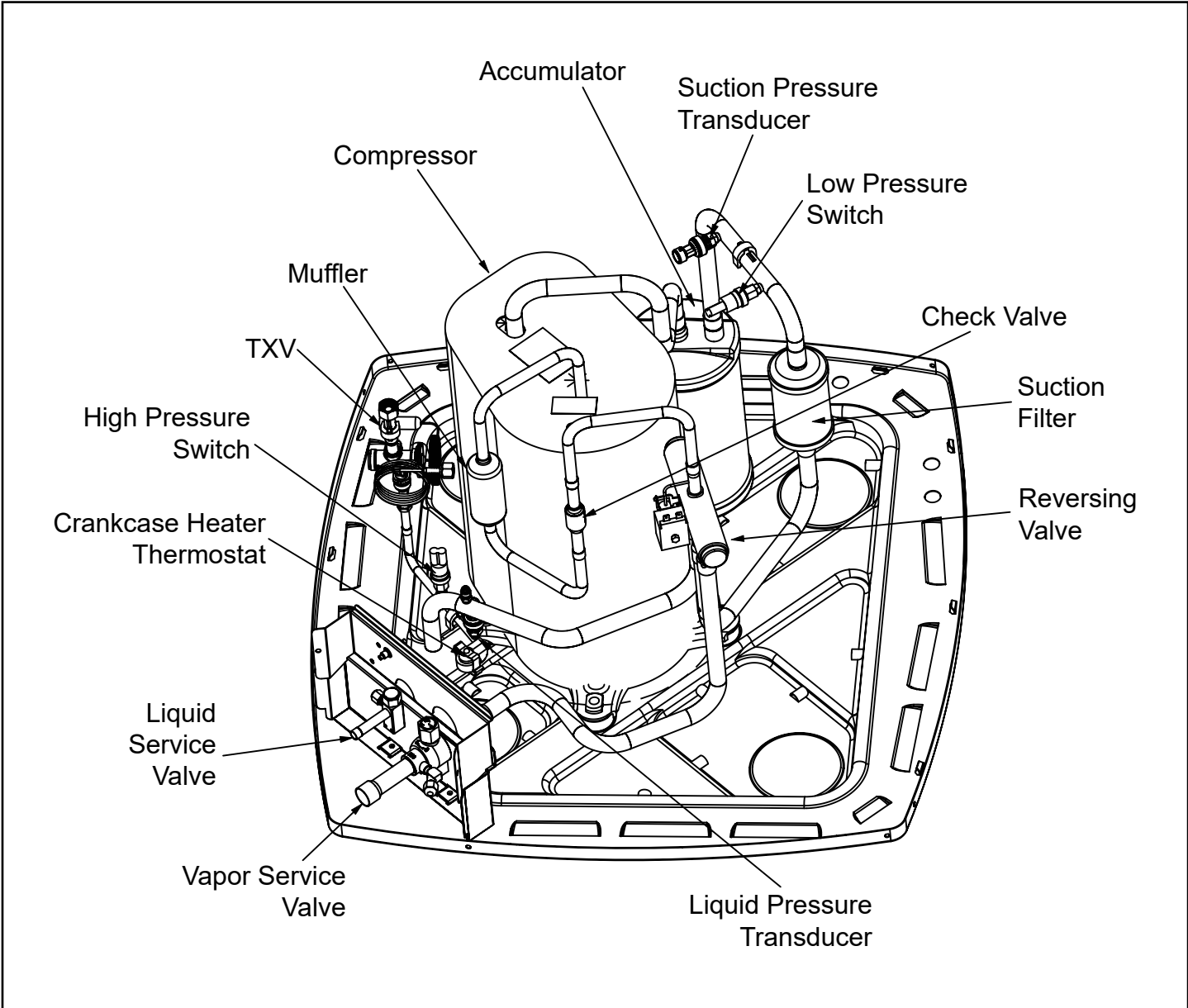


Figure 2. Parts Arrangement - 3 Ton

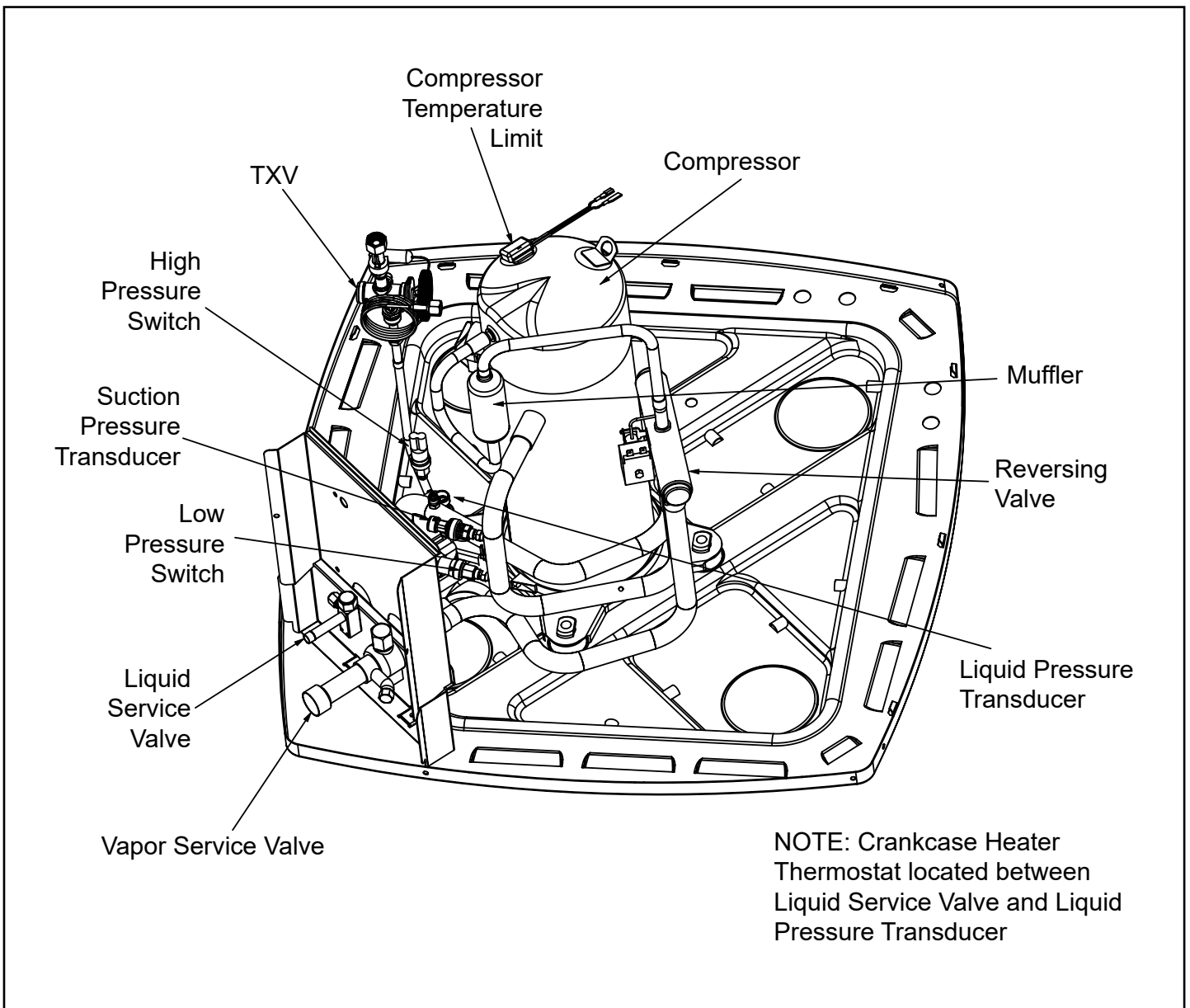


Figure 3. Parts Arrangement - 5 Ton

## General

Read this entire instruction manual, as well as the instructions supplied in separate equipment, before starting the installation. Observe and follow all warnings, cautions, instructional labels, and tags. Failure to comply with these instructions could result in an unsafe condition and/or premature component failure.

These instructions are intended as a general guide only for use by qualified personnel and do not supersede any national or local codes in any way. The installation must comply with all provincial, state, and local codes as well as the National Electrical Code (U.S.) or Canadian Electrical Code (Canada). Compliance should be determined prior to installation.

This unit uses R-410A, which is an ozone-friendly HFC refrigerant. The unit must be installed with a matching indoor coil and line set. A filter drier approved for use with R-410A is installed in the unit.

**IMPORTANT:** *This product has been designed and manufactured to meet ENERGY STAR criteria for energy efficiency when matched with appropriate coil components. However, proper refrigerant charge and proper air flow are critical to achieve rated capacity and efficiency. Installation of this product should follow the manufacturer's refrigerant charging and air flow instructions. **Failure to confirm proper charge and airflow may reduce energy efficiency and shorten equipment life.***

### Inspection of Shipment

Upon receipt of equipment, carefully inspect it for possible shipping damage. If damage is found, it should be noted on the carrier's freight bill. Take special care to examine the unit inside the carton if the carton is damaged. Any concealed damage discovered should be reported to the last carrier immediately, preferably in writing, and should include a request for inspection by the carrier's agent.

If any damages are discovered and reported to the carrier **DO NOT INSTALL THE UNIT**, as claim may be denied.

Check the unit rating plate to confirm specifications are as ordered.

### Safety Precautions

Follow all safety codes. Wear safety glasses and work gloves. Use quenching cloth for brazing operations. Have fire extinguisher available. Read these instructions thoroughly and follow all warning or cautions attached to the unit.

1. Always wear proper personal protection equipment.
2. Always disconnect electrical power before removing panel or servicing equipment.
3. Keep hands and clothing away from moving parts.

4. Handle refrigerant with caution; refer to proper MSDS from refrigerant supplier.
5. Use care when lifting, avoid contact with sharp edges.

## Installation

**NOTE:** *In some cases, noise in the living area has been traced to gas pulsations from improper installation of equipment.*

- Locate unit away from windows, patios, decks, etc. where unit operation sounds may disturb customer.
  - Leave some slack between structure and unit to absorb vibration.
  - Place a sound-absorbing material, such as Isomode, under the unit if it will be installed in a location or position that will transmit sound or vibration to the living area or adjacent buildings.
  - Install the unit high enough above the ground or roof to allow adequate drainage of defrost water and prevent ice buildup.
  - In heavy snow areas, do not locate the unit where drifting snow will occur. The unit base should be elevated above the depth of average snows.
- NOTE:** *Elevation of the unit may be accomplished by constructing a frame using suitable materials. If a support frame is constructed, it must not block drain holes in unit base.*
- When installed in areas where low ambient temperatures exist, locate unit so winter prevailing winds do not blow directly into outdoor coil.
  - Locate unit away from overhanging roof lines which would allow water or ice to drop on, or in front of, coil or into unit.

### WARNING

To prevent personal injury, as well as damage to panels, unit or structure, observe the following:

While installing or servicing this unit, carefully stow all removed panels so that the panels will not cause injury to personnel, objects or nearby structures. Also, take care to store panels where they will not be subject to damage (e.g., being bent or scratched).

While handling or stowing the panels, consider any weather conditions (especially wind) that may cause panels to be blown around and damaged.



**⚠ IMPORTANT**

Exhaust vents from dryers, water heaters and furnaces should be directed away from the outdoor unit. Prolonged exposure to exhaust gases and the chemicals contained within them may cause condensation to form on the steel cabinet and other metal components of the outdoor unit. This will diminish unit performance and longevity.

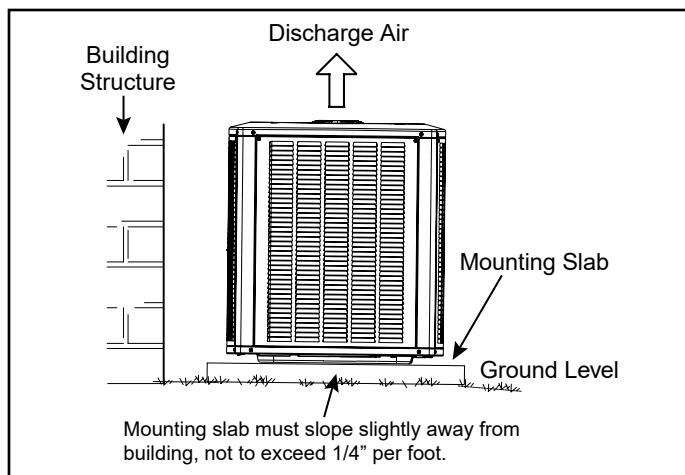
When outdoor unit is connected to factory-approved indoor unit, outdoor unit contains system refrigerant charge for operation with matching indoor unit when connected by 15 ft. of field-supplied tubing. For proper unit operation, check refrigerant charge using charging information located on control box cover.

**Indoor Coil TXV Selection**

The outdoor section must be matched to a factory approved indoor section. It is mandatory that the installer ensure that the correct TXV is installed in the indoor section. Reference "Refrigerant Piping" - "Typical Existing Fixed Orifice Removal Procedure". If necessary, remove the existing piston and replace it with the correct TXV. See "Refrigerant Piping" - "Typical Existing Expansion Valve Removal Procedure" for details of changing the piston or TXV. The HRG18 models are only rated with TXV on the indoor coil.

**Outdoor Section**

Zoning ordinances may govern the minimum distance the condensing unit can be installed from the property line.



**Figure 4. Slab Mounting**

**Install on a Solid, Level Mounting Pad**

The outdoor section is to be installed on a solid foundation. This foundation should extend a minimum of 2" (inches) beyond the sides of the outdoor section. To reduce the possibility of noise transmission, the foundation slab should NOT be in contact with or be an integral part of the building foundation. See Figure 4.

If conditions or local codes require the unit be attached to pad or mounting frame, tie down bolts should be used and secured to unit base pan.

**Elevate Unit**

**⚠ CAUTION**

Accumulation of water and ice in base pan may cause equipment damage.

Elevate unit per local climate and code requirements to provide clearance above estimated snowfall level and ensure adequate drainage of unit. Use snow stand in areas where prolonged freezing temperatures are encountered.

If conditions or local codes require the unit be attached to pad or mounting frame, tie down bolts should be used and fastened through knockouts provided in unit base pan.

**Clearance Requirements**

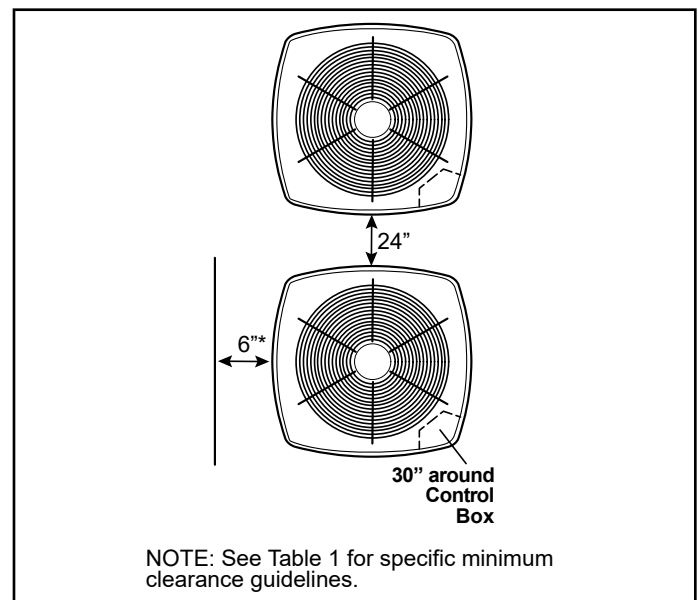
When installing, allow sufficient space for airflow clearance, wiring, refrigerant piping, and service. For proper airflow, quiet operation and maximum efficiency. Position so water, snow, or ice from roof or eaves cannot fall directly on unit. Refer to Table 1 for installation clearances.

Location	Minimum Clearance
Service box	30"
Top of unit*	48"
Between units	24"
Against wall	6"

\* Maximum soffit overhang is 36".

**NOTE:** At least one side should be unobstructed by a wall or other barrier.

**Table 1. Clearances**



**NOTE:** See Table 1 for specific minimum clearance guidelines.

**Figure 5.**

**DO LOCATE THE UNIT:**

- With proper clearances on sides and top of unit
- On a solid, level foundation or pad (unit must be level to within ± 1/4 in./ft. per compressor manufacturer specifications)
- To minimize refrigerant line lengths

**DO NOT LOCATE THE UNIT:**

- On brick, concrete blocks or unstable surfaces
- Near clothes dryer exhaust vents
- Near sleeping area or near windows
- Under eaves where water, snow or ice can fall directly on the unit
- With clearance less than 2 ft. from a second unit
- With clearance less than 4 ft. on top of unit

**Operating Ambient**

The minimum outdoor operating ambient in cooling mode is 55°F, and the maximum outdoor operating ambient in cooling mode is 125°F. The maximum outdoor operating ambient in heating mode is 66°F.

**Rooftop Installations**

Install unit at a minimum of 6" above surface of the roof to avoid ice buildup around the unit. Locate the unit above a load bearing wall or area of the roof that can adequately support the unit. Consult local codes for rooftop applications.

If unit cannot be mounted away from prevailing winds, a wind barrier should be constructed. Due to variation in installation applications, size and locate barrier according to the best judgment of the installer.

**Refrigerant Piping**

- Use only refrigerant grade copper tubes.
- Split systems may be installed with up to 50 feet of line set (no more than 20 feet vertical) without special consideration (see long line set guidelines).
- Ensure that vapor and liquid tube diameters are appropriate to capacity of unit.
- Run refrigerant tubes as directly as possible by avoiding unnecessary turns and bends.
- When passing refrigerant tubes through the wall, seal opening with RTV or other silicon-based caulk.
- Avoid direct tubing contact with water pipes, duct work, floor joists, wall studs, floors, walls, and any structure.
- Do not suspend refrigerant tubing from joists and studs with a rigid wire or strap that comes in direct contact with tubing.

- Ensure that tubing insulation is pliable and completely surrounds vapor tube.

It is important that no tubing be cut or seals broken until you are ready to actually make connections to the evaporator and to the condenser section. DO NOT remove rubber plugs or copper caps from the tube ends until ready to make connections at evaporator and condenser. Under no circumstances leave the lines open to the atmosphere for any period of time, if so unit requires additional evacuation to remove moisture.

Operating Mode	18 SEER	
	Liquid Line	Suction Line
2 Ton	3/8	3/4
3 Ton	3/8	3/4
4 Ton	3/8	7/8
5 Ton	3/8	1 1/8

**Table 2.**

Be extra careful with sharp bends. Tubing can “kink” very easily, and if this occurs, the entire tube length will have to be replaced. Extra care at this time will eliminate future service problems.

It is recommended that vertical suction risers not be up-sized. Proper oil return to the compressor should be maintained with suction gas velocity.

**Filter Drier**

The filter drier is very important for proper system operation and reliability. If the drier is shipped loose, it must be installed by the installer in the field. Unit warranty will be void, if the drier is not installed.

**Installation of Line Sets**

**DO NOT** fasten liquid or suction lines in direct contact with the floor or ceiling joist. Use an insulated or suspension type of hanger. Keep both lines separate, and always insulate the suction line. Liquid line runs (30 feet or more) in an attic will require insulation. Route refrigeration line sets to minimize length.

**DO NOT** let refrigerant lines come in direct contact with foundation. When running refrigerant lines through the foundation or wall, openings should allow for a sound and vibration absorbing material to be placed or installed between tubing and foundation. Any gap between foundation or wall and refrigerant lines should be filled with a vibration damping material.

**⚠ CAUTION**

If ANY refrigerant tubing is required to be buried by state or local codes, provide a 6 inch vertical rise at service valve.

**! WARNING**

Polyvinyl ether (PVE) oils used with HFC-410A refrigerant absorb moisture very quickly. It is very important that the refrigerant system be kept closed as much as possible. DO NOT remove line set caps or service valve stub caps until you are ready to make connections.

**! CAUTION**

Do **NOT** attempt to flush and re-use existing line sets or indoor coil when the system contains contaminants (i.e., compressor burn out).

**NOTE**

“Clean refrigerant” is any refrigerant in a system that has not had compressor burnout. If the system has experienced burnout, it is recommended that the existing line set and indoor coil be replaced.

**NOTE**

In lieu of R-410A, an industry-standard flushing agent may also be used.

**NOTE:** Length is general guide. Lengths may be more or less, depending on remaining system design factors.

- Maximum linear (actual) length = 150 feet.
- Maximum linear liquid lift = 60 feet.

**NOTE:** Maximum lifts are dependent on total length, number of elbows, etc. that contribute to total pressure drop.

- Maximum length vapor riser = 60 feet.
- Up to 50 Linear Feet: Use rated line sizes listed in Table 3.
- Between 51 and 150 Linear Feet: Crankcase heater and nonbleed port TXV factory installed. No additional components required. Vertical vapor riser must be sized to the vapor riser listed in the Table 4 on systems with line sets longer than 51 feet. Use Table 4 and Table 5 to determine the correct liquid and vapor line sizes.
- Over 150 Linear Feet: not recommended.
- Additional oil is not required for systems with line lengths up to 150 feet.

**Suction Traps**

For systems with the outdoor unit 5 - 60 feet above the indoor unit, one trap must be installed at the bottom of the suction riser.

**NOTE:** Special consideration must be taken for line sets over 50 feet. See Refrigerant Piping Guidelines.

**Heat Pump System (HFC410A)**

- Total equivalent length equals 180 feet (piping and all fittings included).

Tonnage *	Valve Size Connections		Recommended Line Sets
	Liquid Line	Suction Line	Line Set Length
-24	3/8" (10mm)	3/4" (19mm)	30' (9.1m)
-36			40' (12.2m)
-48		7/8" (22mm)	50' (15.2m)
-60		1-1/8" (29mm) **	Field-fabricated

\* Applicable to all minor revision numbers unless otherwise specified.  
 \*\* Some applications may require a field-provided 1-1/8" to 7/8" adapter.

**Table 3. Standard Refrigerant Line Set – Up to 50 Linear Feet in Length**

Tonnage	Maximum Total Equivalent Length (ft)	Maximum Linear (actual) Length (ft)	Maximum Vapor Riser (ft)	Maximum Linear Liquid Lift (ft)	Preferred Vapor Line Sizes for Horizontal Runs	Required Vapor Riser Size
-24	180	150	60	60	7/8"	5/8"
-36						3/4"
-48						7/8"
-60						

**Table 4. HRG18xxS1P Line Set Guidelines – 51 to 150 Linear Feet in Length**

Tonnage	Line Size	Total Linear Length (ft.)						Max Elevation (ft)
		25	50	75	100	125	150	
-24	3/8"	25	50	60	60	60	60	Max Elevation (ft)
-36	3/8"	25	50	60	56	51	45	
	1/2"	25	50	60	60	60	60	
-48	3/8"	25	50	50	41	31	22	
	1/2"	25	50	60	60	60	60	
-60	3/8"	25	50	36	22	8	NR	
	1/2"	25	50	60	60	60	59	

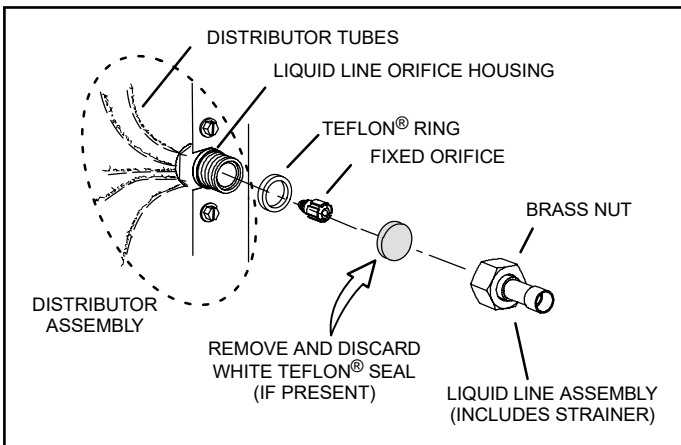
NOTE: Shaded rows indicate rated liquid line size.

- Find your tonnage on the left side of the table.
- Start with the rated liquid line size (shaded row) on the outdoor tonnage.
- Select the actual Total Linear Length of your system shown at the top of the table.
- The elevation listed in the table is the maximum allowed for the liquid line listed.
- Select or consider the larger liquid line size shown in the table if the elevation does not meet your requirements.

NOTE: For new or replacement line set installation, refer to Service and Application Note - Corp. 9112-L4 (C-91-4).

**Table 5. Liquid Line Diameter Selection**

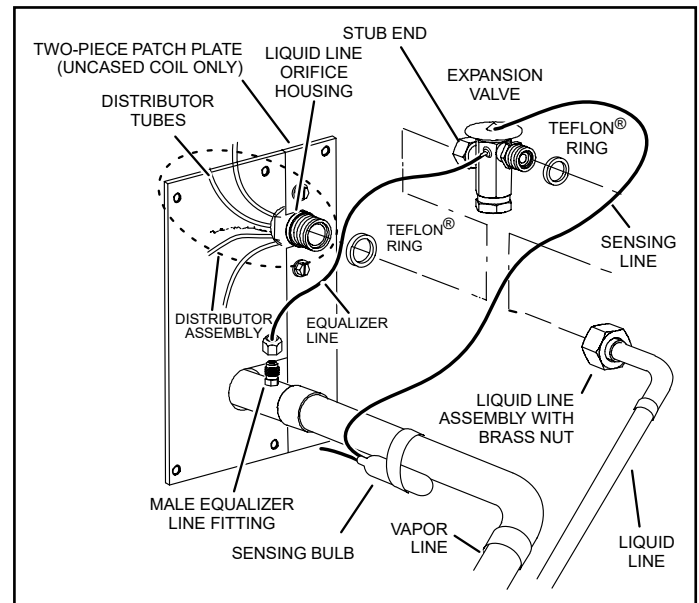
**Typical Existing Fixed Orifice Removal Procedure**



**Figure 6. Remove Fixed Orifice (Uncased Coil Shown)**

- On fully cased coils, remove the coil access and plumbing panels.
- Remove any shipping clamps from the liquid line and distributor assembly.
- Using two wrenches (one to hold the orifice housing and one to remove the brass nut), disconnect liquid line from liquid line orifice housing. Take care not to twist or damage distributor tubes during this process.
- Remove and discard fixed orifice, valve stem assembly (if present) and Teflon® washer, as shown in Figure 6.
- Use a field-provided fitting to temporarily reconnect the liquid line to the indoor unit's liquid line orifice housing.

**Typical Existing Expansion Valve Removal Procedure**



**Figure 7. Remove Expansion Valve (Uncased Coil Shown)**

- On fully cased coils, remove the coil access and plumbing panels.
- Remove any shipping clamps from the liquid line and distributor assembly.
- Disconnect the equalizer line from the fitting on the vapor line.
- Remove the vapor line sensing bulb.

5. Disconnect the liquid line from the expansion valve at the liquid line assembly.
6. Disconnect the expansion valve from the liquid line orifice housing. Take care not to twist or damage distributor tubes during this process.
7. Remove and discard expansion valve and the two Teflon® rings.
8. Use a field-provided fitting to temporarily reconnect the liquid line to the indoor unit's liquid line orifice housing.

### Connect Gauges and Equipment for Flushing Procedure

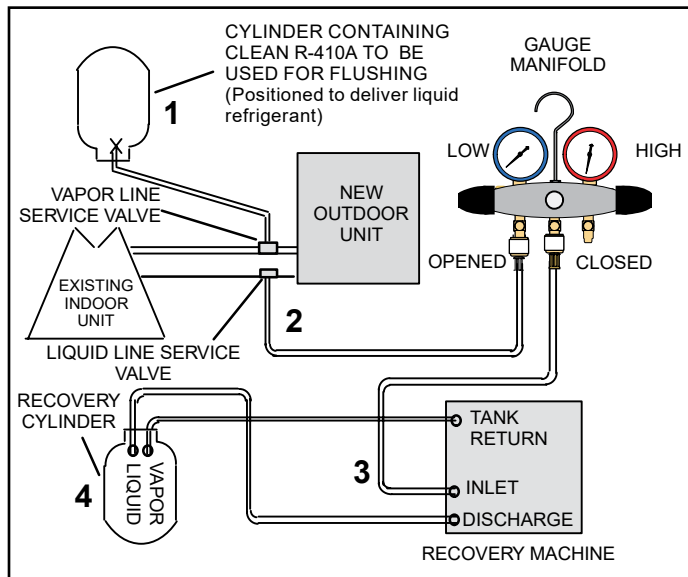


Figure 8. Connecting Gauges

1. Cylinder with clean R-410A (positioned to deliver liquid refrigerant) to the vapor service valve.
2. Refrigerant gauge set (low side) to the liquid line valve.
3. Refrigerant gauge set center port to inlet on the recovery machine with an empty recovery tank connected to the gauge set.
4. Connect recovery tank to recovery machine per machine instructions.

### Flushing Line Sets

If the unit will be installed in an existing system that uses an indoor unit or line sets charged with R-22 refrigerant, installer must perform the following flushing procedure.

**NOTE:** Existing system components (including line set and indoor coil) must be an AHRI match with the unit in order to fulfill unit warranty requirements.

**⚠ WARNING**

Fire, Explosion and Personal Safety hazard. Failure to follow this warning could result in damage, personal injury or death.

Never use oxygen to pressurize or purge refrigeration lines. Oxygen, when exposed to a spark or open flame, can cause fire and/or an explosion, that could result in property damage, personal injury or death.

**⚠ WARNING**

When using a high pressure gas such as nitrogen to pressurize a refrigeration or air conditioning system, use a regulator that can control the pressure down to 1 or 2 psig (6.9 to 13.8 kPa).

**⚠ WARNING**

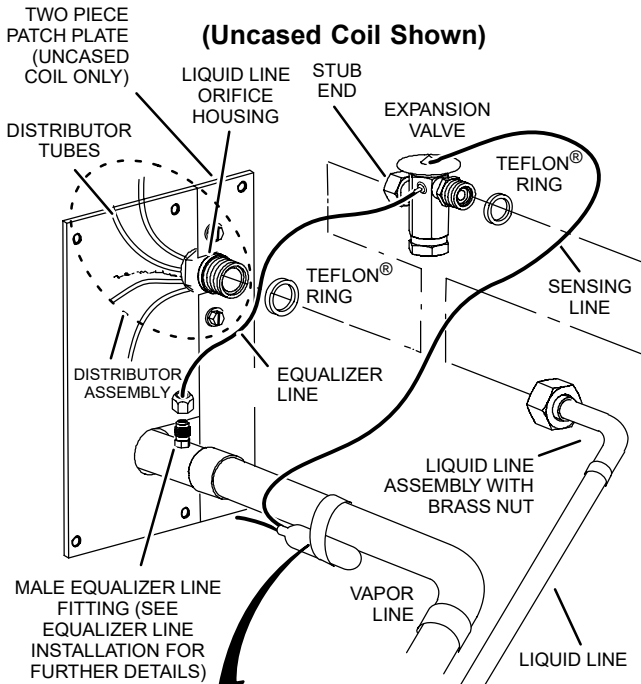
Refrigerant must be reclaimed in accordance with national and local codes.

1. Set the recovery machine for liquid recovery and start the recovery machine. Open the gauge set valves to allow the recovery machine to pull a vacuum on the existing system line set and indoor unit coil.
2. Position the cylinder of clean R-410A for delivery of liquid refrigerant and open its valve to allow liquid refrigerant to flow into the system through the vapor line valve. Allow the refrigerant to pass from the cylinder and through the line set and the indoor unit coil before it enters the recovery machine.
3. After all of the liquid refrigerant has been recovered, switch the recovery machine to vapor recovery so that all of the R-410A vapor is recovered. Allow the recovery machine to pull the system down to 0.
4. Close the valve on the inverted R-410A drum and the gauge set valves. Pump the remaining refrigerant out of the recovery machine and turn the machine off.

## Refrigerant Piping - Install Indoor Expansion Valve

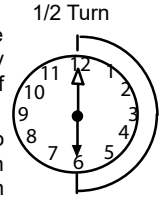
This outdoor unit is designed for use in systems that include a heat pump expansion valve metering device at the indoor coil. See the Product Specifications for approved expansion valve kit match-ups and application information. The expansion valve unit can be installed internal or external to the indoor coil. In applications where an uncased coil is being installed in a field-provided plenum, install the expansion valve in a manner that will provide access for future field service of the expansion valve. Refer to below illustration for reference during installation of expansion valve unit.

### INDOOR EXPANSION VALVE INSTALLATION



Sensing bulb insulation is required if mounted external to the coil casing. sensing bulb installation for bulb positioning.

- 3 - Install one of the provided Teflon® rings around the stubbed end of the check expansion valve and lightly lubricate the connector threads and expose surface of the Teflon® ring with refrigerant oil.
- 4 - Attach the stubbed end of the check expansion valve to the liquid line orifice housing. Finger tighten and use an appropriately sized wrench to turn an additional 1/2 turn clockwise as illustrated in the figure above, or tighten to 20 ft-lb.
- 5 - Place the remaining Teflon® washer around the other end of the check expansion valve. Lightly lubricate connector threads and expose surface of the Teflon® ring with refrigerant oil.
- 6 - Attach the liquid line assembly to the check expansion valve. Finger tighten and use an appropriately sized wrench to turn an additional 1/2 turn clockwise as illustrated in the figure above or tighten to 20 ft-lb.



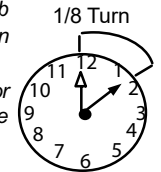
### SENSING BULB INSTALLATION

- 1 - Attach the vapor line sensing bulb in the proper orientation as illustrated to the right using the clamp and screws provided.

**NOTE** - Though it is preferred to have the sensing bulb installed on a horizontal run of the vapor line, installation on a vertical run of piping is acceptable if necessary.

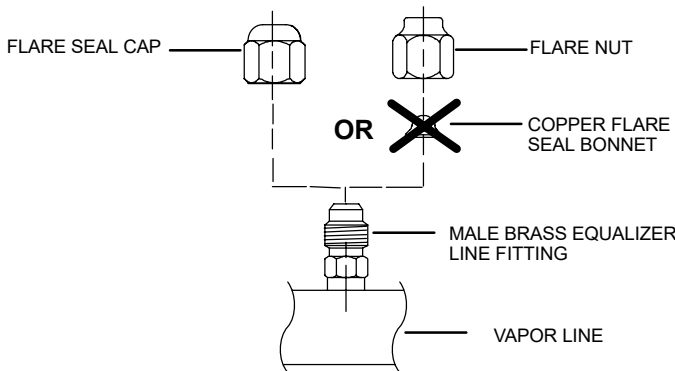
**NOTE** - Confirm proper thermal contact between vapor line and check/expansion bulb before insulating the sensing bulb once installed.

- 2 - Connect the equalizer line from the check expansion valve to the equalizer vapor port on the vapor line. Finger tighten the flare nut plus 1/8 turn (7 ft-lbs) as illustrated below.



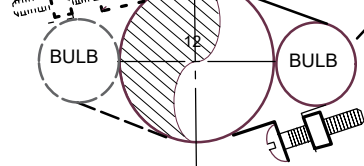
### EQUALIZER LINE INSTALLATION

- 1 - Remove and discard either the flare seal cap or flare nut with copper flare seal bonnet from the equalizer line port on the vapor line as illustrated in the figure below.
- 2 - Remove the field-provided fitting that temporarily reconnected the liquid line to the indoor unit's distributor assembly.



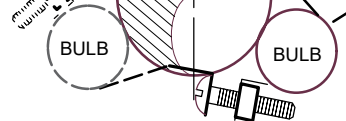
VAPOR LINE

ON LINES SMALLER THAN 7/8", MOUNT SENSING BULB AT EITHER THE 3 OR 9 O'CLOCK POSITION.



VAPOR LINE

ON 7/8" AND LARGER LINES, MOUNT SENSING BULB AT EITHER THE 4 OR 8 O'CLOCK POSITION.

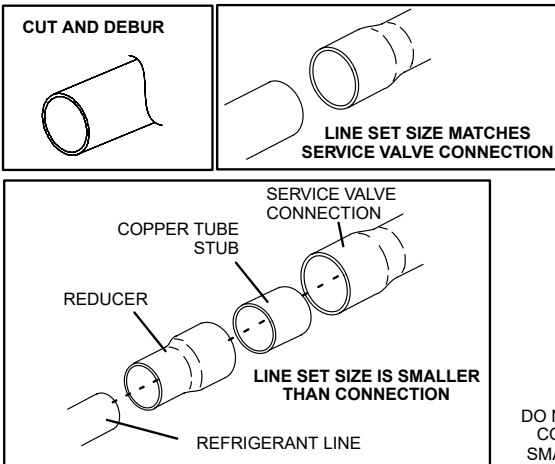


**NOTE** - NEVER MOUNT THE SENSING BULB ON BOTTOM OF LINE.

## Refrigerant Piping - Brazing Procedures

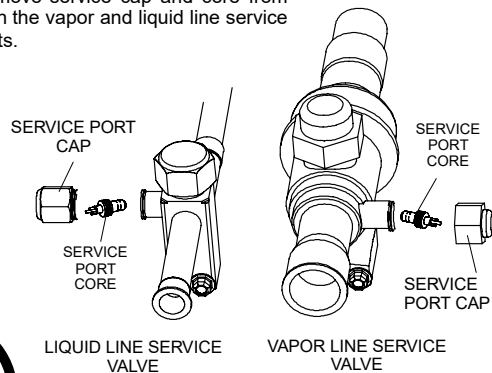
### 1 CUT AND DEBUR

Cut ends of the refrigerant lines square (free from nicks or dents) and debur the ends. The pipe must remain round. Do not crimp end of the line.



### 2 CAP AND CORE REMOVAL

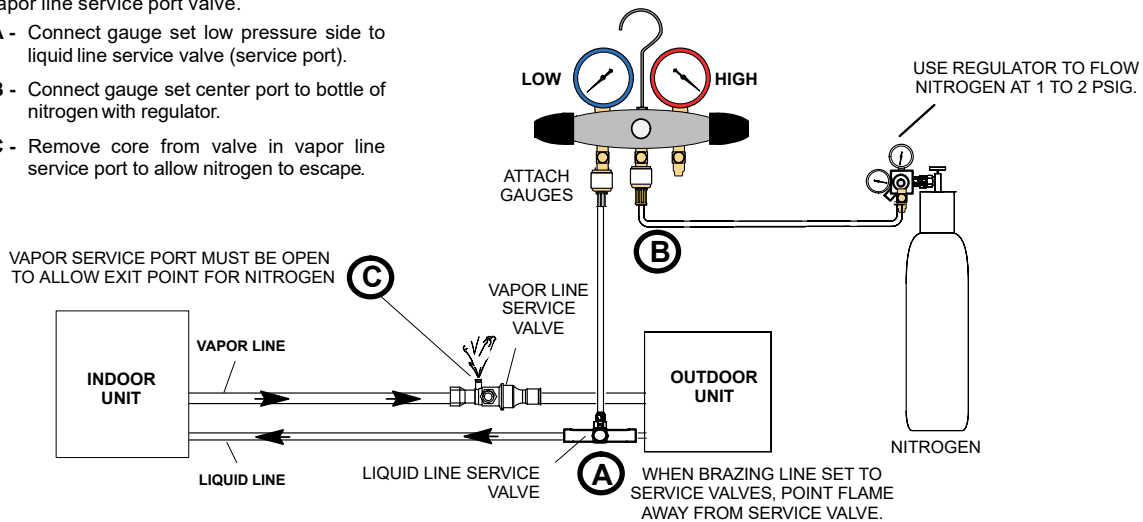
Remove service cap and core from both the vapor and liquid line service ports.



### 3 ATTACH THE MANIFOLD GAUGE SET FOR BRAZING LIQUID AND VAPOR LINE SERVICE VALVES

Flow regulated nitrogen (at 1 to 2 psig) through the low-side refrigeration gauge set into the liquid line service port valve, and out of the vapor line service port valve.

- A - Connect gauge set low pressure side to liquid line service valve (service port).
- B - Connect gauge set center port to bottle of nitrogen with regulator.
- C - Remove core from valve in vapor line service port to allow nitrogen to escape.



#### NOTE

Use a manifold gauge set designed for use on R-410A refrigerant systems.

#### ⚠ WARNING

Before brazing, ensure the system is fully recovered of all refrigerant. Application of a brazing torch to a pressurized system may result in ignition of the refrigerant and oil mixture. Check the high and low pressures before applying heat.



#### ⚠ WARNING

Brazing alloys and flux contain materials which are hazardous to your health.

Avoid breathing vapors or fumes from brazing operations. Perform operations only in well-ventilated areas.

Wear gloves and protective goggles or face shield to protect against burns.

Wash hands with soap and water after handling brazing alloys and flux.

## 4 WRAP SERVICE VALVES

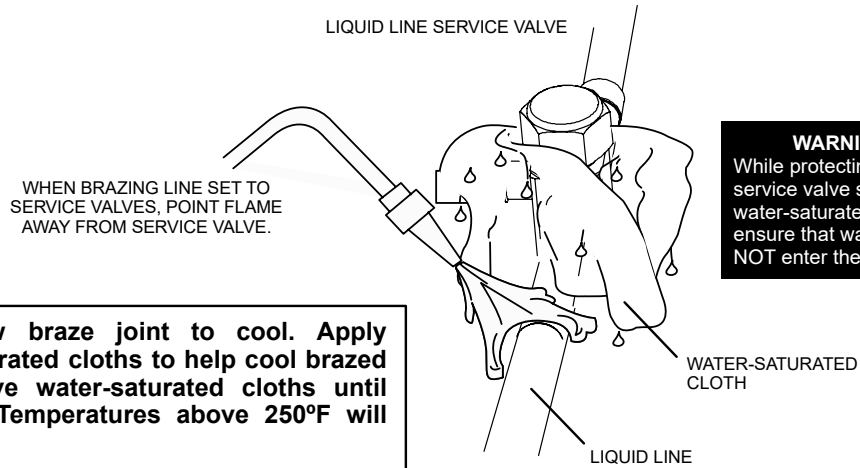
To help protect service valve seals during brazing, wrap water-saturated cloths around service valve bodies and copper tube stubs. Use additional water-saturated cloths underneath the valve body to protect the base paint.

## 5 FLOW NITROGEN

Flow regulated nitrogen (at 1 to 2 psig) through the refrigeration gauge set into the valve stem port connection on the liquid service valve and out of the vapor valve stem port. See steps **3A**, **3B** and **3C** on manifold gauge set connections.

## 6 BRAZE LINE SET

Wrap both service valves with water-saturated cloths as illustrated here and as mentioned in step 4, before brazing to line set. Cloths must remain water-saturated throughout the brazing and cool-down process.

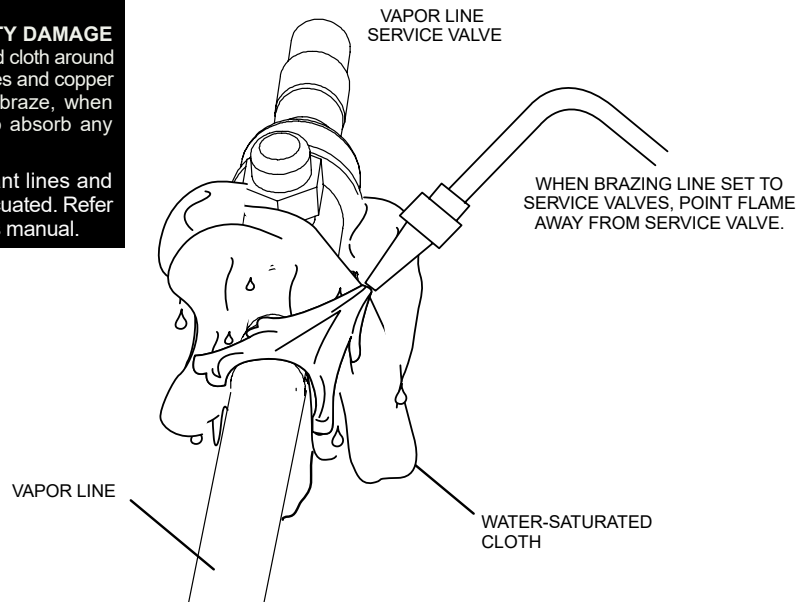


**IMPORTANT — Allow braze joint to cool. Apply additional water-saturated cloths to help cool brazed joint. Do not remove water-saturated cloths until piping has cooled. Temperatures above 250°F will damage valve seals.**

**WARNING**

**FIRE, PERSONAL INJURY, OR PROPERTY DAMAGE** may result if you do not wrap a water-saturated cloth around both liquid and suction line service valve bodies and copper tube stub while brazing the line set! The braze, when complete, must be quenched with water to absorb any residual heat.

Do not open service valves until refrigerant lines and indoor coil have been leak-tested and evacuated. Refer to Leak Test and Evacuation section of this manual.

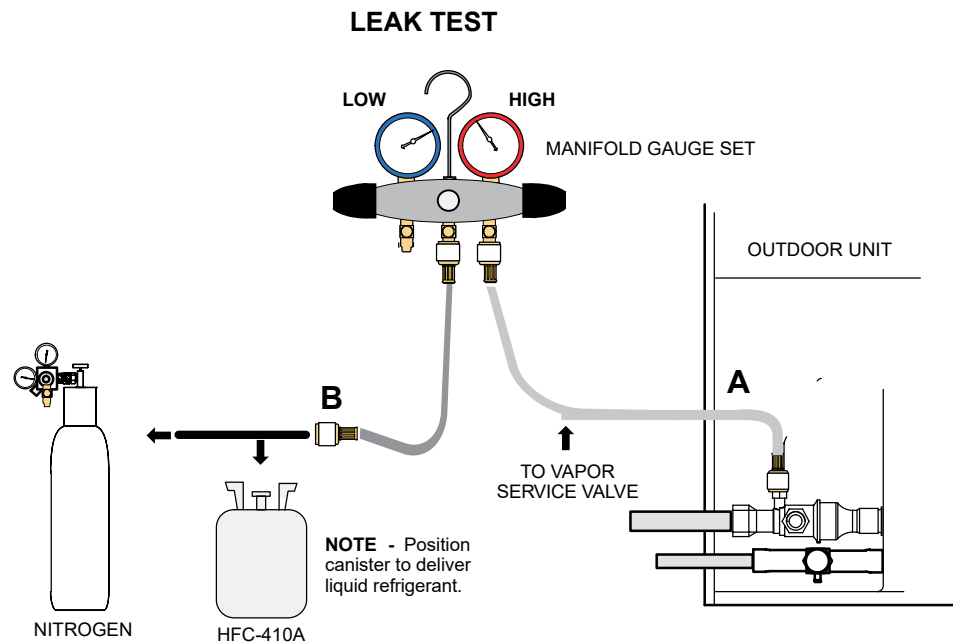


## 7 PREPARATION FOR NEXT STEP

After all connections have been brazed, disconnect manifold gauge set from service ports. Apply additional water-saturated cloths to both services valves to cool piping. Once piping is cool, remove all water-saturated cloths.



## Leak Test and Evacuation



## 1 CONNECT GAUGE SET

- A** - Connect the high pressure hose of an HFC-410A manifold gauge set to the vapor valve service port.  
**NOTE** - Normally, the high pressure hose is connected to the liquid line port. However, connecting it to the vapor port better protects the manifold gauge set from high pressure damage.
- B** - With both manifold valves closed, connect the cylinder of HFC-410A refrigerant to the center port of the manifold gauge set.  
**NOTE** - Later in the procedure, the HFC-410A container will be replaced by the nitrogen container.

## 2 TEST FOR LEAKS

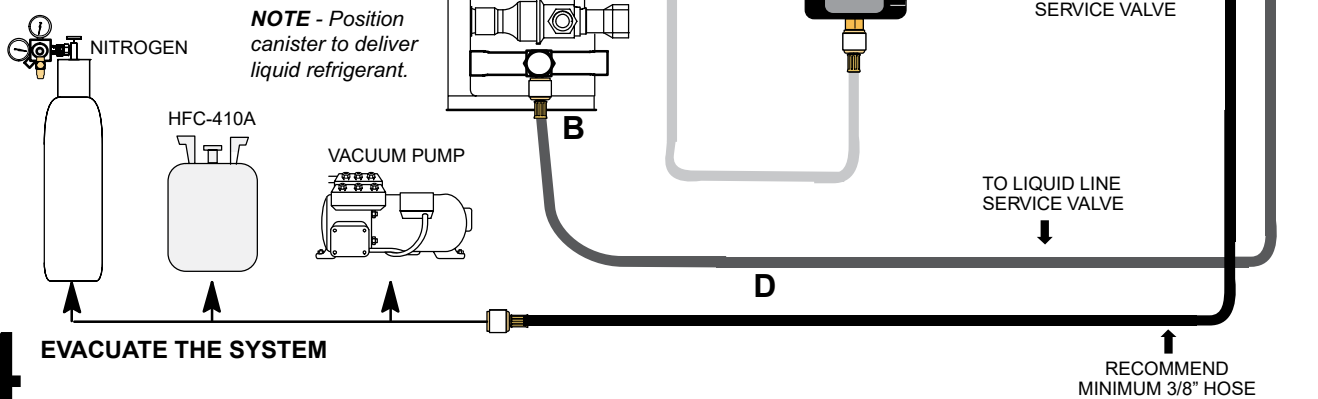
After the line set has been connected to the indoor and outdoor units, check the line set connections and indoor unit for leaks. Use the following procedure to test for leaks:

- A** - With both manifold valves closed, connect the cylinder of HFC-410A refrigerant to the center port of the manifold gauge set. Open the valve on the HFC-410A cylinder (vapor only).
- B** - Open the high pressure side of the manifold to allow HFC-410A into the line set and indoor unit. Weigh in a trace amount of HFC-410A. [A trace amount is a maximum of two ounces (57 g) refrigerant or three pounds (31 kPa) pressure.] Close the valve on the HFC-410A cylinder and the valve on the high pressure side of the manifold gauge set. Disconnect the HFC-410A cylinder.
- C** - Connect a cylinder of nitrogen with a pressure regulating valve to the center port of the manifold gauge set.
- D** - Adjust nitrogen pressure to 150 psig (1034 kPa). Open the valve on the high side of the manifold gauge set in order to pressurize the line set and the indoor unit.
- E** - After a few minutes, open one of the service valve ports and verify that the refrigerant added to the system earlier is measurable with a leak detector.
- F** - After leak testing, disconnect gauges from service ports.  
**NOTE** - Service valve cores remain removed for the following evacuation procedure.

### 3 CONNECT GAUGE SET

**NOTE** - Remove cores from service valves (if not already done).

- A - Connect low side of manifold gauge set with 1/4 SAE in-line tee to vapor line service valve
- B - Connect high side of manifold gauge set to liquid line service valve
- C - Connect available micron gauge connector on the 1/4 SAE in-line tee.
- D - Connect the vacuum pump (with vacuum gauge) to the center port of the manifold gauge set. The center port line will be used later for both the HFC-410A and nitrogen containers.



**NOTE** - Position canister to deliver liquid refrigerant.

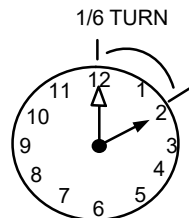
### 4 EVACUATE THE SYSTEM

- A - Open both manifold valves and start the vacuum pump.
- B - Evacuate the line set and indoor unit until a slight vacuum is indicated on the micron gauge (approximately 23,000 microns or 29.01 inches of mercury).
  - NOTE** - During the early stages of evacuation, it is desirable to close the manifold gauge valve at least once. A rapid rise in pressure indicates a relatively large leak. If this occurs, **repeat the leak testing procedure**.
  - NOTE** - The term **absolute pressure** means the total actual pressure above absolute zero within a given volume or system. Absolute pressure in a vacuum is equal to atmospheric pressure minus vacuum pressure.
- C - When the absolute pressure reaches 23,000 microns (29.01 inches of mercury), perform the following:
  - Close manifold gauge valves.
  - Close valve on vacuum pump.
  - Turn off vacuum pump.
  - Disconnect manifold gauge center port hose from vacuum pump.
  - Attach manifold center port hose to a nitrogen cylinder with pressure regulator set to 150 psig (1034 kPa) and purge the hose.
  - Open manifold gauge valves to break the vacuum in the line set and indoor unit.
  - Close manifold gauge valves.
- D - Shut off the nitrogen cylinder and remove the manifold gauge hose from the cylinder. Open the manifold gauge valves to release the nitrogen from the line set and indoor unit.
- E - Reconnect the manifold gauge to the vacuum pump, turn the pump on, and continue to evacuate the line set and indoor unit until the absolute pressure does not rise above 500 microns (29.9 inches of mercury) within a 20-minute period after shutting off the vacuum pump and closing the manifold gauge valves.
- F - When the absolute pressure requirement above has been met, disconnect the manifold hose from the vacuum pump and connect it to a cylinder of HFC-410A positioned to deliver liquid refrigerant. Open the manifold gauge valve 1 to 2 psig in order to release the vacuum in the line set and indoor unit.
- G - Perform the following:
  - Close manifold gauge valves.
  - Shut off HFC-410A cylinder.
  - Reinstall service valve cores by removing manifold hose from service valve. Quickly install cores with core tool while maintaining a positive system pressure.
  - Replace stem caps and finger tighten them, then tighten an additional one-sixth (1/6) of a turn as illustrated.
- H - Open suction service valve first before liquid valve to release the unit charge into the system. Replace valve caps and tighten (8 ft. lb.). Caps are the primary seal.

**WARNING !**

**Possible equipment damage.**

**Avoid deep vacuum operation. Do not use compressors to evacuate a system. Extremely low vacuum can cause internal arcing and compressor failure. Damage caused by deep vacuum operation will void warranty.**



**Electrical - Circuit Sizing and Wire Routing**

In the U.S.A., wiring must conform with current local codes and the current National Electric Code (NEC). In Canada, wiring must conform with current local codes and the current Canadian Electrical Code (CEC).

Refer to the furnace or air handler installation instructions for additional wiring application diagrams and refer to unit nameplate for minimum circuit ampacity and maximum overcurrent protection size.

**24VAC Transformer**

Use the transformer provided with the furnace or air handler for low-voltage control power (24VAC - 40 VA minimum).

**Thermostat Control and Low Voltage Control Wiring**

**Conventional 24VAC Non-Communicating Thermostat Control**

The HRG18 variable capacity unit may be installed using a conventional 24VAC non-communicating two-stage cooling or single-stage cooling thermostat.

The HRG18 unit will provide full variable capacity operation when installed with a conventional 24VAC non-communicating two stage heat pump or single-stage heat pump thermostat. The HRG18 outdoor control has advanced control algorithms, which provide true variable speed capacity operation by modulating the compressor speed to achieve the target suction pressure set point in cooling mode, and liquid pressure set point in heating mode.

When utilizing a two-stage conventional 24VAC non-communicating thermostat, six wires are required to control the outdoor unit (R, C, W1, O, Y1 and Y2). Refer to the HRG18 field wiring diagram for a conventional 24VAC non-communicating 2-stage thermostat.


When utilizing a single conventional 24VAC non-communicating thermostat, five wires are required to control the outdoor unit (R, C, W1, O, and Y1) and Y1 is jumpered to Y2 in the outdoor unit. Note that the published performance data is based upon the use of a two-stage thermostat. Refer to the HRG18 field wiring diagram for a conventional 24VAC non-communicating single-stage thermostat.

**HRG18 Low Voltage Control Wiring Connections**

The HRG18 variable capacity units are provided with (2) RAST 6-Pin connections for connecting the field low voltage control wiring to the HRG18 harnesses in the low voltage control make-up box. One RAST 6-pin connector is labeled with terminals TST, DF, R, I+, I- and C. The second RAST 6-pin connector is labeled with terminals DS, O, Y1, Y2, L and W.

**⚠ WARNING**

**Electrical Shock Hazard!**



Can cause injury or death. Unit must be properly grounded in accordance with national and local codes.

Line voltage is present at all components when unit is not in operation on units with single-pole contactors. Disconnect all remote electric power supplies before opening access panel. Unit may have multiple power supplies.

**⚠ WARNING**

Fire Hazard. Use of aluminum wire with this product may result in a fire, causing property damage, severe injury or death. Use copper wire only with this product.

**⚠ WARNING**

Failure to use properly sized wiring and circuit breaker may result in property damage. Size wiring and circuit breaker(s) per Technical Specifications and unit rating plate.

**⚠ WARNING**

**ELECTROSTATIC DISCHARGE (ESD)**

**Precautions and Procedures**

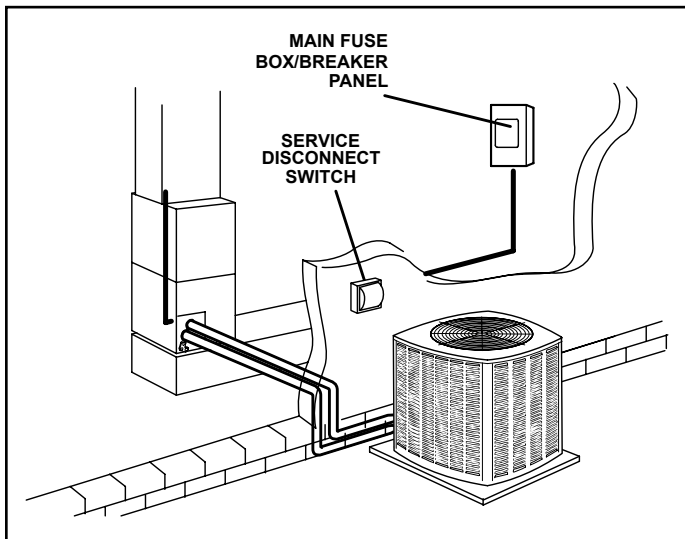
Electrostatic discharge can affect electronic components. Take care during unit installation and service to protect the unit's electronic controls. Precautions will help to avoid control exposure to electrostatic discharge by putting the unit, the control and the technician at the same electrostatic potential. Touch hand and all tools on an unpainted unit surface before performing any service procedure to neutralize electrostatic charge.

Thermostat Type	Indoor Unit Type	Qty. of Wires to HRG18	HRG18 Terminal Strip Connections	Unit Operation	Field Wiring Diagram
Conventional 24VAC 2-Stage Cooling Thermostat (non-communicating)	Any Furnace or Air Handler (non-communicating)	6	R, C, W1, O, Y1, Y2	Full Variable Capacity Operation Controlled by HRG18 Unitary Control Using Suction Pressure	Figure 13
Conventional 24VAC Single-Stage Cooling Thermostat (non-communicating)	Any Furnace or Air Handler (non-communicating)	5	R, C, W1, O, Y1 (Jumper Y1 to Y2)	Full Variable Capacity Operation Controlled by HRG18 Unitary Control Using Suction Pressure	Figure 12

**Table 6. HRG18 Thermostat Control Options**

**Size Circuit and Install Service Disconnect Switch**

Refer to the unit nameplate for minimum circuit ampacity, and maximum fuse or circuit breaker (HACR per NEC). Install power wiring and properly sized disconnect switch.

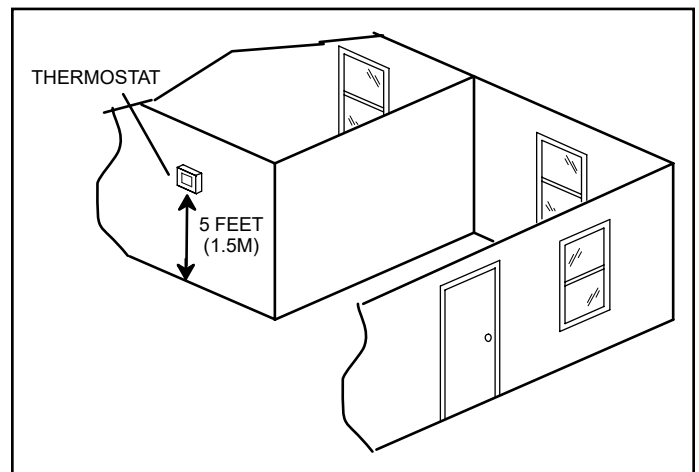


**Figure 9.**

**NOTE:** Units are approved for use only with copper conductors. Ground unit at disconnect switch or connect to an earth ground.

**Install Thermostat**

Install room thermostat (ordered separately) on an inside wall approximately in the center of the conditioned area and 5 feet (1.5m) from the floor. It should not be installed on an outside wall or where it can be affected by sunlight or drafts.



**Figure 10.**

**NOTE:** 24VAC, Class II circuit connections are made in the control panel.

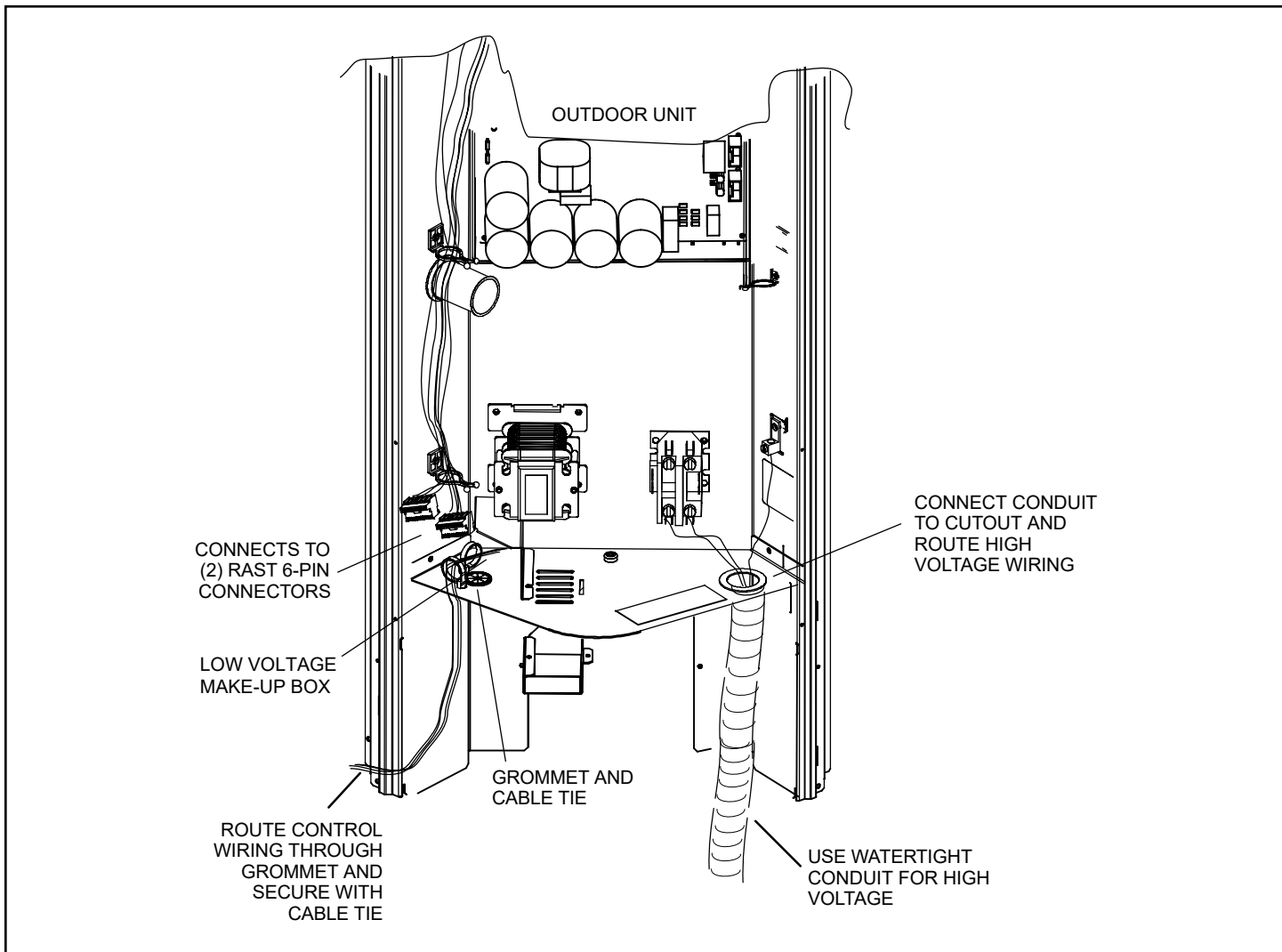


Figure 11.

**Route Control Wires**

Wire Run Length	AWG#	Insulation Type
Less than 100' (30m)	18	Temperature Rating 35°C Minimum
More than 100' (30m)	16	

**Table 7. Conventional 24VAC Non-Communicating Thermostat Wiring**

**Route High Voltage and Ground Wires**

Any excess high voltage field wiring should be trimmed and secured away from any low voltage field wiring. To facilitate a conduit, a cutout is located on the bottom of the control box. Connect conduit to the control box using a proper conduit fitting.

Connect the 208/230 high voltage power supply from the disconnect to the HRG18 contactor as shown. Connect the ground wire from the power supply to the unit ground lug connection.

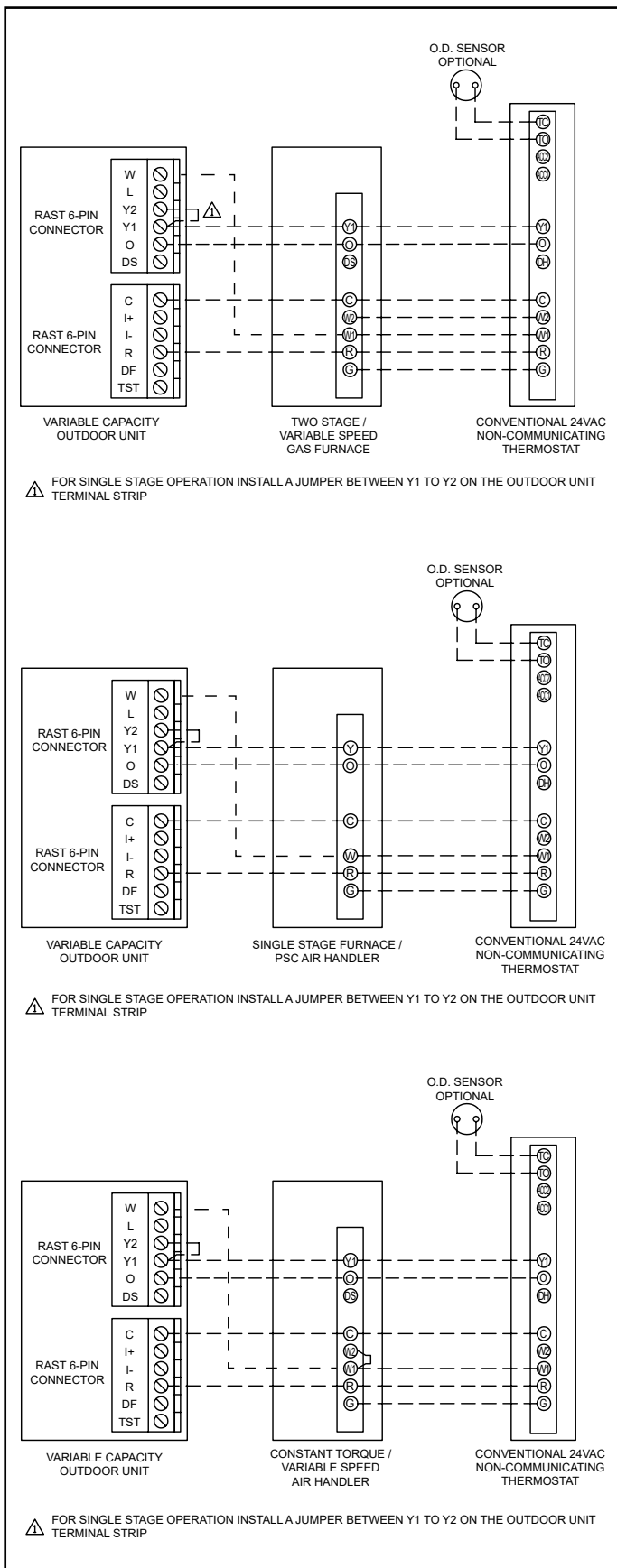


Figure 12. Conventional 24VAC Cooling Non-Communicating Thermostat Wiring - Single Stage

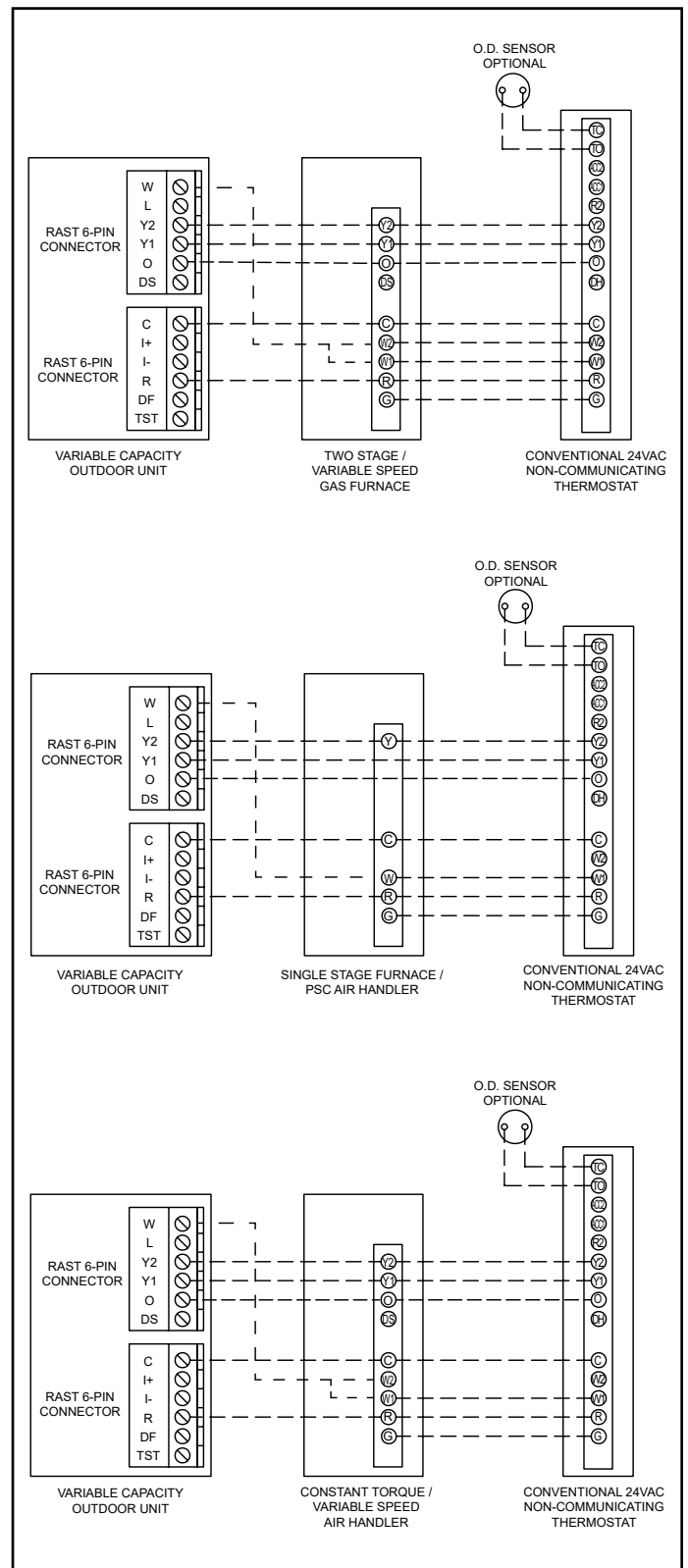
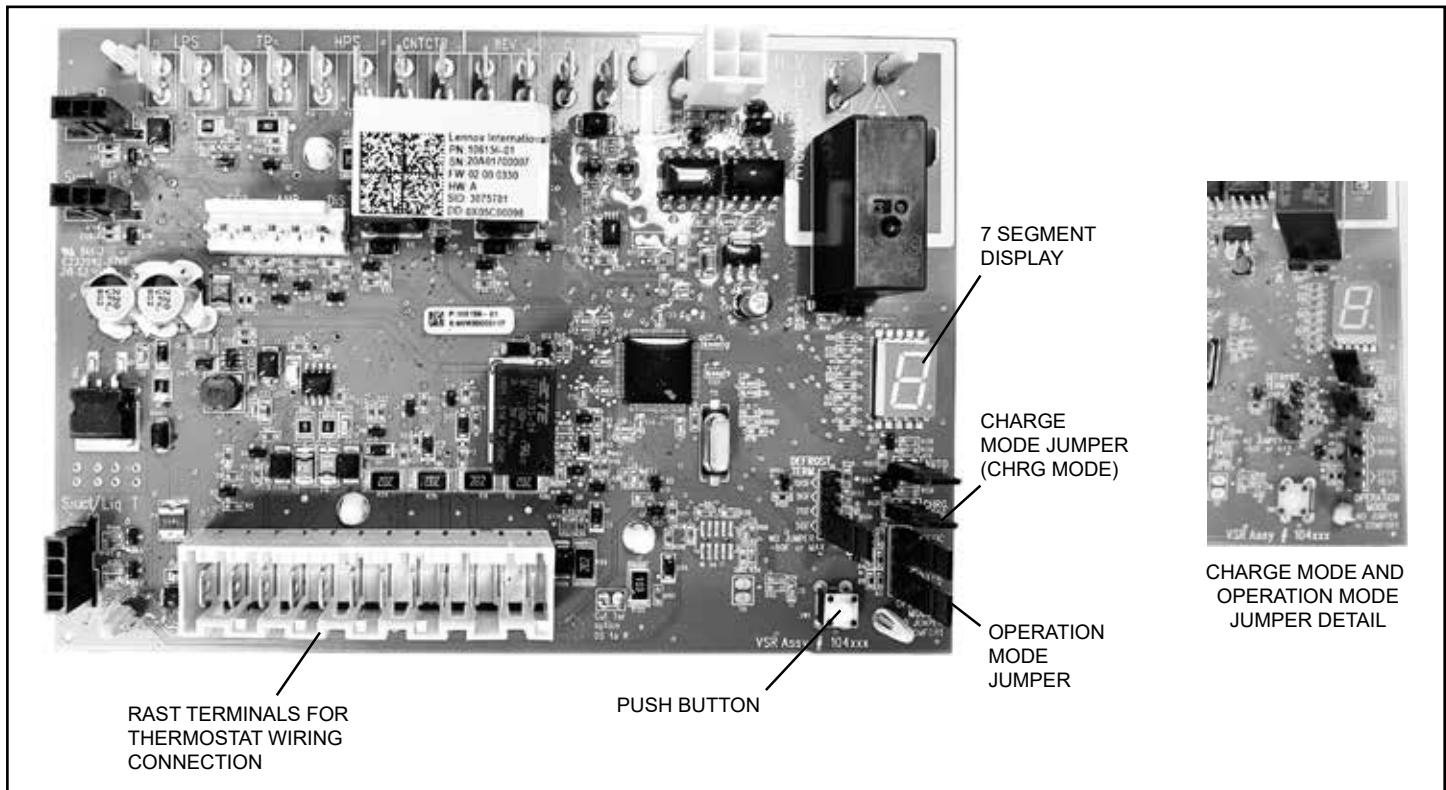


Figure 13. Conventional 24VAC Cooling Non-Communicating Thermostat Wiring - Two Stage

**Outdoor Unitary Control**

**Jumpers and Terminals**



**Figure 14.**

**7-Segment Display and Push Button**

Information labels concerning the outdoor control 7-segment display and push button operations are available on the unit control panel cover.

**Alarms**

Alarm information is provided on the unit control panel cover.

**Programing Unit Type**

Programming to the appropriate tonnage allows the unit to operate in the range of compressor and fan speeds that are optimized for best unit performance and efficiency.

The HRG18 units are programmed from the factory to function in 3 Ton and 5 Ton modes of operation. If the intended capacity for the application is 3 or 5 Ton, skip this section.

The units are field convertible to 2 Ton or 4 Ton to efficiently perform for the required application. If the intended capacity is 2 or 4 Ton, proceed to the following steps to program the unit type. Outdoor unit must be powered ON and in idle mode (no heating or cooling mode of operation).

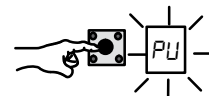
**NOTE:** The -36 unit can be programmed to operate as a 2 Ton, and the -60 unit can be programmed to operate as a 4 Ton.

Perform the following steps to program the unit type.

1. To enter mode options, push and hold the push button next to the seven-segment display until a DASH (-) symbol appears. Immediately release the button. Once the dash starts blinking, proceed to the next step.



2. Push and hold button again until PU is displayed on the seven-segment display. Immediately release the button.



3. Push and hold button until the code for the correct unit type is displayed.

Unit Code	Unit Type
58	2 Ton
60	3 Ton
62	4 Ton
63	5 Ton

**Table 8. Unit Tonnage Codes**

- The unit will display the unit type for 10 seconds. Press the push button and hold it for 3 seconds for the unit to store the unit type. Once, the unit code is stored the system acknowledges by displaying a string of characters ending with the updated system unit code.

After programming of unit type is complete, the unit can be set up for charge mode operation.

### Charge Mode Jumper

To initiate the HRG18 Charge Mode function, install the jumper across the two Charge Mode Pins (CHRG MODE) on the outdoor control. The Charge Mode can be used when charging the system with refrigerant, checking the refrigerant charge, pumping down the system and performing other service procedures that requires outdoor unit operation at 100% capacity.

#### **HRG18 Charge Mode Operation with a Conventional 24VAC Non-Communicating Heat Pump Thermostat**

##### **Charge Mode Display String**

When unit is in the charge mode, Suction Pressure (SPxxx, Suction Temp (Stxx.x, Superheat (SHxx.x, Liquid Pressure (LPxxx, Liquid Temp (Ltxx.x and Subcooling (SCxx.x will be scrolled on the 7-segment display.

Example:

5 P 1 3 5 pause 5 t 6 2 pause 5 H 1 5 pause L P 3 4 5  
 pause L t 9 6 pause 5 [ 1 ] repeat

##### **Charge Mode Jumper Operation in the Cooling Mode**

On applications with a conventional 24VAC non-communicating heat pump thermostat, the charge mode jumper must be installed on the Charge Mode Pins after providing a cooling compressor demand to the HRG18 and an “O” cooling reversing valve demand to initiate the Charge Mode. A cooling blower demand must also be provided to initiate blower in high stage operation on the indoor unit.

The compressor and outdoor fan motor will begin to ramp up and reach 100% design capacity within 3 minutes. They will continue to operate at 100% design capacity for the duration of charge mode.

##### **Charge Mode Jumper Operation in the Heat Pump Heating Mode**

On applications with a conventional 24VAC non-communicating heat pump thermostat, the charge mode jumper must be installed on the Charge Mode Pins after providing a heating compressor demand to the HRG18 without an “O” reversing valve signal to initiate the Charge Mode. A heating blower demand must also be provided to initiate high speed blower operation on the indoor unit.

The compressor and outdoor fan motor will begin to ramp up and reach 100% design capacity within 3 minutes. They will continue to operate at 100% design capacity for the duration of charge mode.

### **Exiting Charge Mode**

To exit the charging mode, remove the Charge Mode Jumper from the Charge Mode Pins. The system will be in Charge Mode for a maximum time of 60 minutes and will automatically exit the charge mode and resume normal operation after 60 minutes even if the charge mode jumper is left in place. To extend the charge mode beyond 60 minutes, ensure the cooling/heating demand, blower demand and appropriate reversing valve demand are available and reapply the charge mode jumper.

**NOTE:** *If compressor demand is lost during charge mode period, then the compressor and fan will cease to operate, and the unit will enter into a delay timer for 3 minutes. Repeat the charging mode procedure to get back into charge mode.*

### **Cooling Operation Mode Jumper**

The Cooling Operation Mode Jumper is only used on applications installed with a conventional 24VAC non-communicating heat pump thermostat. In applications with a conventional 24VAC non-communicating heat pump thermostat, the compressor capacity is controlled to maintain the target suction pressure setpoint. The Cooling Operation Mode Jumper has three selectable cooling modes. The three modes are Efficiency (Jumper installed on Pins 1 & 2), Normal Mode (Jumper installed on Pins 2 & 3) and Comfort Mode (Jumper Removed). The factory default position is the Efficiency Mode. The Efficiency mode has a variable suction pressure setpoint that will vary with the outdoor temperature; as the outdoor temperature increases the suction pressure setpoint will decrease. When the Cooling Operation Mode jumper is installed in the “Normal Mode” the suction pressure setpoint is 135 psig.

When the Cooling Operation Mode jumper is installed in the “Comfort Mode” the suction pressure setpoint is 125 psig.

Operation Mode Jumper	Jumper Position	Target Suction Pressure Setting
Efficiency (default)	Pin 1 to Pin 2	Variable based on OAT
Normal	Pin 2 to Pin 3	135 PSIG
Comfort	Jumper Off	125 PSIG

**Table 9. Cooling Operation Mode Jumper (Conventional 24VAC Thermostats Only)**

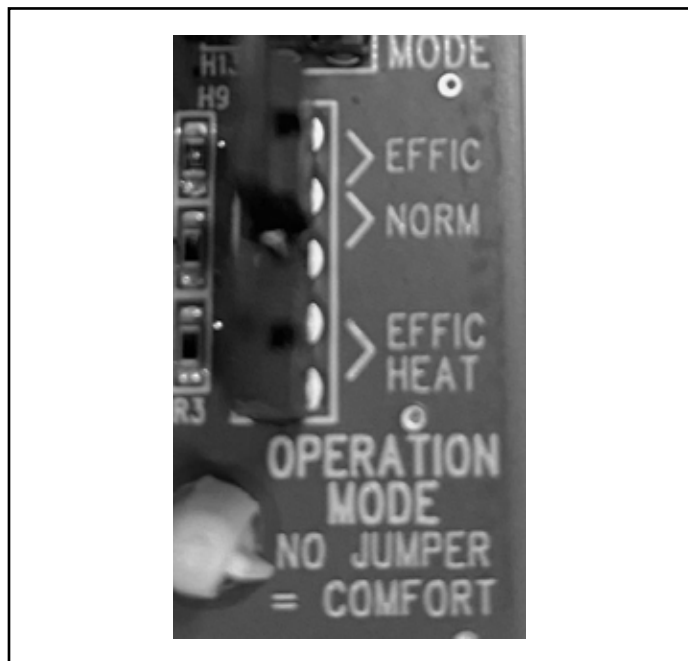


### Heating Operation Mode Jumper

The Heating Operation Mode Jumper is only used on applications installed with a conventional 24VAC non-communicating heat pump thermostat. In applications with a conventional 24VAC non-communicating heat pump thermostat, the compressor capacity is controlled to maintain the target liquid pressure setpoint. The Heating Operation Mode Jumper has two selectable heating modes. The two modes are Efficiency (Jumper installed on Pins 1 & 2) and Comfort Mode (Jumper Removed). The factory default position is the Efficiency Mode. The Efficiency mode has a variable liquid pressure setpoint that will vary with the outdoor temperature; as the outdoor temperature decreases, the liquid pressure setpoint will increase. When the Operation Mode jumper is installed in the "Comfort Mode" the liquid pressure setpoint is 425 psig.

Operation Mode Jumper	Jumper Position	Target Liquid Pressure Setting
Efficiency (default)	Pin 4 to Pin 5	Variable based on OAT
Comfort	Jumper Off	425 PSIG

**Table 10. Heating Operation Mode Jumper (Conventional 24VAC Thermostats Only)**



**Figure 15. Operation Mode Jumper**

## Unit Operation

### HRG18 Unit Operation with a Conventional 24VAC Non-Communicating 2-Stage Thermostat

When the HRG18 unit is installed with a conventional 24VAC non-communicating 2-stage thermostat, a Y1 first stage heating or cooling demand will initiate heating or cooling operation and first stage indoor blower operation. The compressor will be controlled in the variable capacity mode by varying the compressor capacity to obtain the target suction pressure set point. The Y2 second stage heating or cooling demand will initiate second stage blower operation. Increased air volume will increase the load on the indoor coil and increase the suction pressure. The HRG18 compressor capacity will continue to be controlled based upon the suction pressure. The unit capacity will be controlled in the variable capacity mode throughout the range of capacity from minimum capacity to maximum capacity. If the Y2 demand remains after 20 minutes, the HRG18 control will begin to ramp up the compressor capacity until maximum capacity is achieved. The HRG18 unit will cycle off once the thermostat demand is satisfied.

### HRG18 Unit Operation with a Conventional 24VAC Non-Communicating Single-Stage Thermostat

When the HRG18 unit is installed with a conventional 24VAC non-communicating single-stage thermostat, a Y1 first stage heating or cooling demand will initiate heating or cooling operation and heating or cooling indoor blower operation. In single stage thermostat applications, a jumper must be installed between Y1 and Y2 on the HRG18 outdoor control. The compressor will be controlled in the variable capacity mode by varying the compressor capacity to obtain the target suction pressure set point. If the heating or cooling demand remains after 20 minutes, the HRG18 control will begin to ramp up the compressor capacity until maximum capacity is achieved. The HRG18 unit will cycle off once the thermostat demand is satisfied.

### Defrost Function

The outdoor unit control uses a time-dependent frost accumulation duration demand defrost control algorithm to provide a demand defrost when the system falls below optimum levels. The demand defrost control algorithm is reactive based upon the previous heat pump run time between defrost cycles (frost accumulation time) and the

time spend in defrost (defrost time). The outdoor unit control monitors ambient temperature, outdoor coil temperature along with the compressor run time in heating mode and defrost cycle time. The outdoor unit control monitors compressor run time in the heating mode when the outdoor coil temperature is below 35°F and accumulates the frost accumulation time. Once the frost accumulation time is met the unit control will initiate a defrost cycle. The unit will run in the defrost mode until the coil temperature reaches the defrost termination temperature setpoint. The maximum length of defrost cycle is 14 minutes and the defrost cycle will automatically be terminated if the defrost cycle exceeds 14 minutes.

Two consecutive low pressure switch trips while operating in the heat pump heating mode will initiate a defrost cycle to defrost that may occur during a weather related event such as freezing rain.

**Frost Accumulation Time**

The frost accumulation time is the amount of time the heat pump runs in the heating mode when the outdoor coil temperature is below 35°F. The initial target frost accumulation time is 90 minutes, but the control will adjust the frost accumulation time higher or lower based upon the previous defrost cycle time history. If the defrost cycle time is short (80% or less of the defrost cycle time) the defrost accumulation time will be increased by 30 minutes. If the defrost cycle time is long (120% or more of the target defrost cycle time) the defrost accumulation time will be decreased by 30 minutes. If the defrost accumulation time is significantly longer (200% or more of the target defrost cycle time) or if the defrost terminates at the 14-minute

maximum time, the frost accumulation time is set to 30 minutes. No change is he frost accumulation time is made if the frost accumulation time is close to the target defrost cycle time (between 80% and 120% of the target defrost cycle time).

**Defrost Cycle Time**

The defrost cycle time is the amount of time the unit operates in the defrost mode from the point the defrost cycle was initiated until the coil temperature reaches 50°F regardless of defrost termination temperature setpoint. The demand defrost control target defrost cycle time is unique for each HRG18 heat pump model. The target defrost cycle time of HRG1824S1P is 120s, HRG1836S1P is 125s, HRG1848S1P is 130s, HRG1860S1P is 135s.

**Defrost Termination Temperature**

The defrost termination temperature is adjustable on the unit control using the jumper pins.

The defrost termination setting selections are 50, 70, 90 and 100°F. The factory default setting is 50°F (10°C). The defrost termination temperature is monitored by the coil sensor which is located at the outlet of the outdoor expansion valve. See Figure 16 for details.

**NOTE:** *Colder climates may require a higher defrost termination temperature setting to ensure the outdoor coil is cleared of frost during defrost. If the outdoor coil is not adequately cleared of frost, the heat pump may experience reduced heating performance or damage to the outdoor coil from the buildup of ice on the coil.*

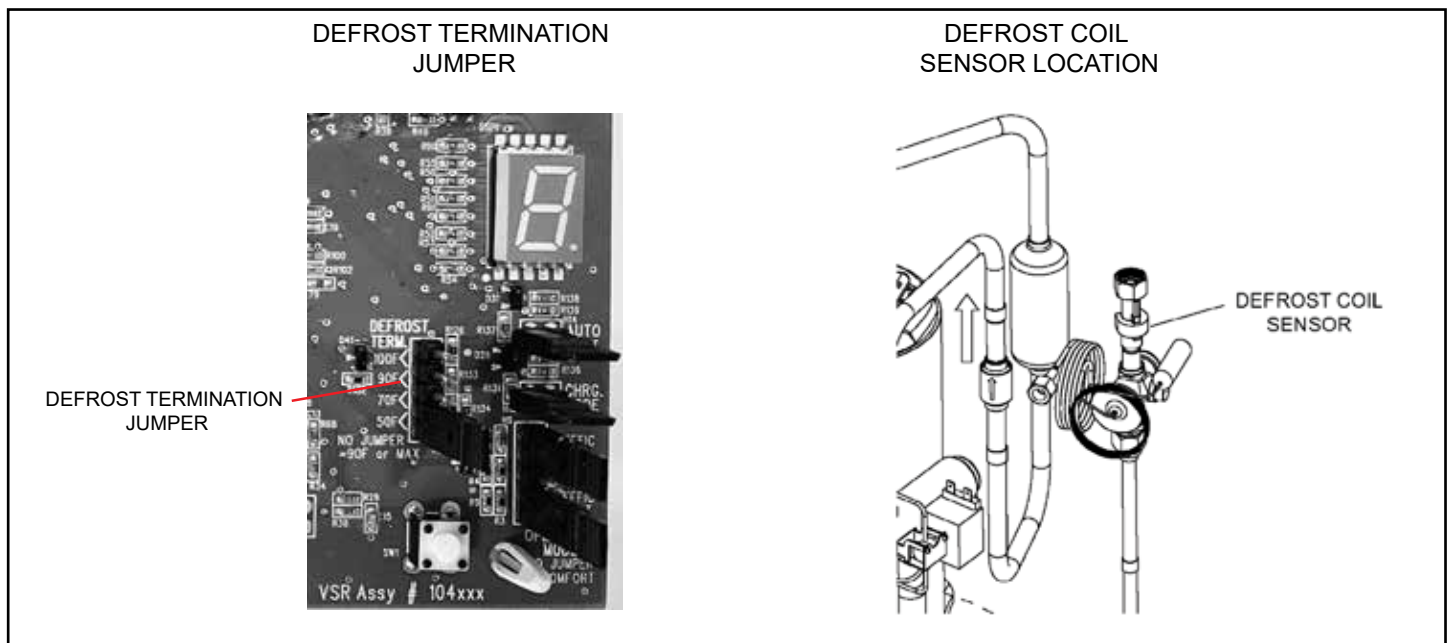
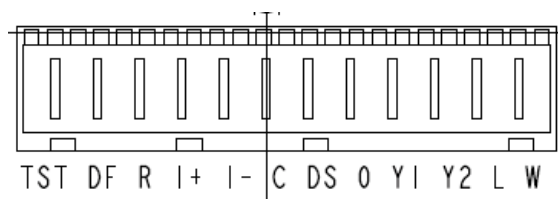


Figure 16.

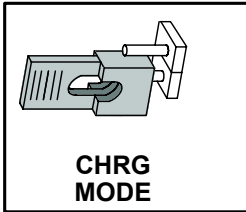
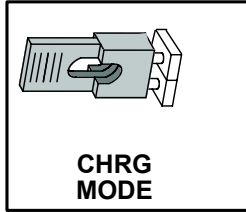
**WARNING** - Electric Shock Hazard. Can cause injury or death. Unit must be grounded in accordance with national and local codes. The 4 pins in P6 have the potential of transferring up to 250 volts to the unit cabinet ground.

Designator	Description	Input	Output	Common
O	O Reversing Valve Input (24VAC conventional Heat Pump Thermostats only)	24VAC	Switched 24VAC nominal	N/A
REV	Unused on HRG18 , for heat pump applications only	N/A	N/A	24VAC common
LPS	Low pressure switch	N/A	24VAC Nominal	N/A
LPS	Low pressure switch sensing connection	24VAC Nominal	N/A	N/A
HPS	High pressure switch	N/A	24VAC nominal	N/A
HPS	High pressure switch sensing connection	24VAC nominal	N/A	N/A
TP	Top cap thermostat switch (in series with the HPS)	N/A	24VAC nominal	N/A
TP	Top cap thermostat switch sensing connection	24VAC nominal	N/A	N/A
Cntctr	Control (inverter power) contactor switched output (in series with the HPS and TC)	N/A	Switched 24VAC nominal	N/A
Cntctr	Contactor common	N/A		24VAC common
FPWM	PWM fan output	N/A	10-97% duty cycle, 19-23 VDC peak	
C	PWM fan common connection	N/A	N/A	Fan PWM common
P10 (PSC Fan 1/4" QC)	1/4" QC terminals - Switched output for PSC outdoor fan control (not used on HRG18 heat pumps)	N/A	Switched 230VAC Nominal	N/A
RAST Connector Terminal Designations				
W	24VAC Output for defrost auxiliary heat output	N/A	24VAC nominal	N/A
L	24VAC input to initiate load shed	24VAC nominal from load shed N.O. contacts (close to initiate load shed)	N/A	N/A
Y2	Y2 second stage cooling input when a conventional 24VAC non-communicating thermostat is used. Must be jumpered to Y1 if a single stage cooling thermostat is used	24VAC nominal from thermostat	N/A	N/A
Y1	Y1 first stage cooling input when a conventional 24VAC non-communicating thermostat is used	24VAC nominal from thermostat	N/A	N/A
O	O Reversing Valve Input (24VAC conventional Heat Pump Thermostats only)	24VAC nominal from thermostat	N/A	N/A
DS	Dehumidification input - not used	N/A	N/A	N/A
C	24VAC nominal power return	N/A	N/A	24VAC common
I-	Low data line	Data	Data	N/A
I+	High data line	Data	Data	N/A
R	24VAC nominal power input	24VAC nominal board main power input	N/A	N/A
DF	OEM test	N/A	N/A	N/A
TST	OEM test pin	24VAC nominal	N/A	N/A

**Table 11. Outdoor Control Terminal Designations and Input /Outputs**



**WARNING** - Electric Shock Hazard. Can cause injury or death. Unit must be grounded in accordance with national and local codes. The 4 pins in P6 have the potential of transferring up to 250 volts to the unit cabinet ground.

Designator		Description	Input	Output	Common
P6 - Pin 1	Tx	Transmit data to inverter, connects to Rx of inverter	Outdoor control communication transmit pin	- Pin 1 to pin 2 should read 4.5 to 5.55 VDC when not communicating - Pin 3 to pin 2 should read 4.5 to 5.55 VDC when not communicating - Pin 4 to pin 2 should read 4.5 to 5.5 VDC  NOTE - Communication signals switch off and on rapidly. This may cause volt meter readings to fluctuate. This is normal. Communication signals will switch between this 5V and common (Pin 2).	
P6 - Pin2	Inverter Common	Inverter common NOTE – This is a signal reference point and not an earth ground.	Inverter common		
P6 - Pin 3	Rx	Receive data from the inverter Connects to Tx of inverter	Outdoor control communication receive pin		
P6 - Pin 4	Inv 5V	Inverter 5VDC volts	Inverter 5VDC volts		
DIS		Discharge Line temperature sensor - not used (10K ohm resistor installed)	N/A	N/A	N/A
DIS		Discharge Line temperature sensor - not used (10K ohm resistor installed)	N/A	N/A	N/A
AMB		Outdoor ambient temperature sensor supply	N/A	N/A	N/A
AMB		Outdoor ambient temperature sensor return	N/A	N/A	N/A
COIL		Outdoor coil temperature sensor - not used (10K ohm resistor installed)	N/A	N/A	N/A
COIL		Outdoor coil temperature sensor - not used (10K ohm resistor installed)	N/A	N/A	N/A
CHRG MODE		Charge Mode function. Can be used when charging, checking charge, pump down or checking unit operation. Unit will run at 100% capacity.  Conventional 24VAC heat pump thermostat - Cooling mode 1. Provide a Y1 compressor demand and a O Reversing Valve signal to the HRG18 2. Install the Charge Mode jumper (after the Y1 demand) 3. A blower demand must be provided to the indoor unit for 100% of the cooling air volume. 4. Remove the charge mode jumper to end the charge mode  Conventional 24VAC Heat Pump Thermostat - Heating Mode 1. Provide a Y1 compressor heating demand (without an O demand) 2. Install the Charge Mode jumper (after the Y1 demand) 3. A blower demand must be provided to the indoor unit for 100% of the heating air volume. 4. Remove the charge mode jumper to end the charge mode.  NOTE - If the charge mode jumper is in the ON position during power-up, it is ignored.  NOTE - If the charge mode is left in place, it will be ignored after 60 minutes.	<div style="display: flex; justify-content: space-around; align-items: center;"> <div style="text-align: center;"> <p><b>Charge Mode Disabled</b></p>  <p><b>CHRG MODE</b></p> </div> <div style="text-align: center;"> <p><b>Charge Mode Enabled</b></p>  <p><b>CHRG MODE</b></p> </div> </div>		
Suction Pressure Out		Pressure transducer Supply Voltage Pin 1 of 3		5 VDC	
Suction Pressure In		Pressure transducer output voltage Pin 2 of 3	0.5-4.5 VDC		
Suction Pressure GND		Pressure transducer GND Pin 3 of 3			VDC Com
Liquid Pressure Out		Pressure transducer Supply Voltage Pin 1 of 3		5 VDC	
Liquid Pressure In		Pressure transducer Supply Voltage Pin 2 of 3	0.5-4.5 VDC		
Liquid Pressure GND		Pressure transducer GND Pin 3 of 3			VDC Com
SUCT1		Suction Line Temperature Sensor Supply - Pin 1 of 4	2.680k ohms to 327.3k ohms		

**Table 11. Outdoor Control Terminal Designations and Input /Outputs**

**WARNING** - Electric Shock Hazard. Can cause injury or death. Unit must be grounded in accordance with national and local codes. The 4 pins in P6 have the potential of transferring up to 250 volts to the unit cabinet ground.

Designator	Description	Input	Output	Common
SUCT2	Suction Line Temperature Sensor Supply - Pin 2 of 4	2.680k ohms to 327.3k ohms		
LIQ1	Liquid Line Temperature Sensor Supply - Pin 3 of 4	2.680k ohms to 327.3k ohms		
LIQ2	Liquid Line Temperature Sensor Supply - Pin 4 of 4	2.680k ohms to 327.3k ohms		


**Table 11. Outdoor Control Terminal Designations and Input /Outputs**

**Servicing Units Delivered Void of Charge**

If the outdoor unit is void of refrigerant, clean the system using the procedure described below.

1. Leak test the system using the procedure outlined on Page 17.
2. Evacuate the system using procedure outlined on Page 17.
3. Use nitrogen to break the vacuum and install a new filter drier in the system.
4. Evacuate the system again using procedure outlined on Page 17.
5. Weigh in refrigerant using charging chart on Page 83 or 84.
6. Monitor the system to determine the amount of moisture remaining in the oil. It may be necessary to replace the filter drier several times to achieve the required dryness level. If system dryness is not verified, the compressor will fail in the future.

**Unit Start-Up**

 **IMPORTANT**  
 If unit is equipped with a crankcase heater, it should be energized 24 hours before unit start-up to prevent compressor damage as a result of slugging.

1. Rotate fan to check for binding.
2. Inspect all factory- and field-installed wiring for loose connections.
3. After evacuation is complete, open both the liquid and vapor line service valves to release the refrigerant charge contained in outdoor unit into the system.
4. Replace the stem caps and tighten.
5. Check voltage supply at the disconnect switch. The voltage must be within the range listed on the unit's nameplate. If not, do not start the equipment until you have consulted with the power company and the voltage condition has been corrected.
6. Set the thermostat for a cooling demand. Turn on power to the indoor unit and close the outdoor unit disconnect switch to start the unit.
7. Recheck voltage while the unit is running. Power must be within range shown on the nameplate.
8. Check system for sufficient refrigerant by using the procedures listed in the System Refrigerant section on Page 83 or 84.

## System Operation and Service

### 7-Segment Alert and System Status Codes

Alert codes are displayed using the 7-segment display located on the outdoor control.

**NOTE:** System fault and lockout codes take precedence over system status codes (cooling, heating operating percentages or defrost/dehumidification).

The 7-segment will display an abnormal condition (error code) when detected in the system. A list of the codes are shown in Table 11.

### Resetting Alert Codes

Alert codes can be reset manually or automatically:

#### 1. Manual Reset

Manual reset can be achieved by one of the following methods:

- Disconnecting R wire from the outdoor control R terminal.
- Turning the indoor unit off and back on again

After power up, all currently displayed codes are cleared.

#### 2. Automatic Reset

After an alert is detected, the outdoor control continues to monitor the unit's system and compressor operations. When/if conditions return to normal, the alert code is turned off automatically.

**NOTE:** Error codes can be recalled by following information shown in Table 12.

GF= Gas Furnace, AH=Air Handler, ID=Indoor unit (GF or AH), HP=Heat Pump, AC=Air Conditioner, OD=Outdoor Unit (AC or HP), ZA=Zone system and TS=Thermostat							
Alert Code	Inverter Code	Inverter Flash Code		Priority Condition	Actual Displayed Alert Text	Component or System Operational State and Troubleshooting Tip	How to Clear Alert Code
		Red LED	Green LED				
N/A	N/A	ON	OFF	N/A	HRG1836S1P only: Indicates inverter is operating normally.		
N/A	N/A	ON	ON	N/A	HRG1860S1P only: Indicates inverter is operating normally.		
N/A	N/A	OFF	OFF	N/A	Indicates inverter is NOT energized.		
125				Service Urgent	Control Hardware Problem	There is a hardware problem on a system component control. There is a control hardware problem. Replace the control if the problem prevents operation and is persistent.	Automatically clears five minutes after the issue no longer exists.
132				Service Urgent	Device Control Software Fault	System component control software is corrupted. • Recycle power. • If failure re-occurs, replace the system component control.	Manual system power reset is required to recover from this alert code.
180				Service Soon	Outdoor Temperature Sensor Problem	The thermostat has found a problem with the outdoor sensor in the outdoor unit or the optional outdoor sensor connected to the indoor unit. In normal operation after system component control recognizes sensors, the alert code will be sent if valid temperature reading is lost. • Compare outdoor sensor resistance to temperature / resistance charts in unit installation instructions. Replace sensor pack or stand alone outdoor sensor. • At the beginning of (any) configuration, furnace, air-handler control or equipment interface module will detect the presence of the sensor(s). • If detected (reading in range), appropriate feature will be set as 'installed' and shown in the 'About' screen.	Automatically clears upon configuration, or sensing normal values.

**Table 12. Alert Codes and Troubleshooting**

GF= Gas Furnace, AH=Air Handler, ID=Indoor unit (GF or AH), HP=Heat Pump, AC=Air Conditioner, OD=Outdoor Unit (AC or HP), ZA=Zone system and TS=Thermostat							
Alert Code	Inverter Code	Inverter Flash Code		Priority Condition	Actual Displayed Alert Text	Component or System Operational State and Troubleshooting Tip	How to Clear Alert Code
		Red LED	Green LED				
181				Service Soon	OD Suction Pressure Transducer Fault	<ul style="list-style-type: none"> <li>Suction Pressure Transducer reading above 4.75V or below 0.25V for 24hrs +/- 3hrs. Run on staged operation.</li> </ul>	Resets after 3 consecutive readings that are in range.
182				Service Soon	OD Suction Temperature Sensor Fault	<ul style="list-style-type: none"> <li>Reading below 0.25V or above 4.75V for 24hrs +/- 3hrs. System will continue to operate normally.</li> </ul>	Resets after 3 consecutive readings that are in range.
183				Service Soon	OD Liquid Pressure Sensor Fault	<ul style="list-style-type: none"> <li>Under 0.25V and above 4.75V readings for 24 hours +/-3hrs or more on the sensor will cause this error.</li> <li>Continue normal operation, see sections related to low pressure switch emulation for specific details related to low pressure switch faults.</li> </ul>	Resets after 3 consecutive readings that are in range.
345				Service Urgent	Relay O Failure	<p>The <b>O</b> relay on the system component has failed. Either the pilot relay contacts did not close or the relay coil did not energize.</p> <ul style="list-style-type: none"> <li>Possible <b>O</b> relay / stage 1 failure.</li> <li>Pilot relay contacts did not close or the relay coil did not energize.</li> <li>Replace system component (device) control.</li> </ul> <p>If error is applicable to any Comfort-Aire or Century variable capacity outdoor unit, the outdoor control will need to be replaced.</p>	Automatically clears after the fault recovered following reset.
409				Service Soon	OD Control Board Low 24VAC	<p>The secondary voltage for the applicable system component has fallen below 18VAC. This may be due to:</p> <ul style="list-style-type: none"> <li>Secondary voltage is below 18VAC.</li> <li>If this continues for 10 minutes, the thermostat will turn off the applicable system component.</li> </ul>	Automatically clears after voltage is detected as higher than 20VAC for two seconds or after power reset.
410				Information Only-Dealer	OD Open Low Pressure Switch	<p>Unit low pressure is below the required limit.</p> <ul style="list-style-type: none"> <li>Check operating pressures.</li> <li>Low pressure switch opens at a specific pressure (system shuts down) and closes at a specific pressure (system restarts).</li> </ul>	Automatically clears when the system detects that the issue no longer exists.
411				Service Urgent	OD Low Pressure Switch Strikes Lockout	<p>The low pressure switch has opened five times during one cooling or heating demand.</p> <ul style="list-style-type: none"> <li>Thermostat will shut down the outdoor unit.</li> <li>Open low pressure switch error count reached five strikes.</li> <li>Check system charge using both approach and sub-cooling methods.</li> <li>Reset by putting outdoor unit control in test mode or resetting low voltage power.</li> </ul>	Automatically clears when the system detects that the issue no longer exists.
412				Information Only-Dealer	OD Open High Pressure Switch	<p>The unit high pressure is above the upper limit.</p> <ul style="list-style-type: none"> <li>System will shut down.</li> <li>Confirm that the system is properly charged with refrigerant.</li> <li>Check condenser fan motor, expansion valve (if installed), indoor unit blower motor, stuck reversing valve or clogged refrigerant filter.</li> <li>Confirm that the outdoor unit is clean.</li> </ul>	Automatically clears after the high pressure switch closes or a power reset.
413				Service Urgent	OD High Pressure Switch Strikes Lockout	<p>The high pressure switch has opened five times during one cooling demand.</p> <ul style="list-style-type: none"> <li>Thermostat will shut down the outdoor unit.</li> <li>Open high pressure switch error count reached five strikes.</li> <li>Check system charge using superheat and sub-cooling temperatures.</li> <li>Check outdoor fan operation.</li> <li>Check for dirt or debris blocking air flow to outdoor unit.</li> <li>Reset by putting outdoor unit control in test mode or resetting low voltage power.</li> </ul>	Automatically clears when the system detects that the issue no longer exists.

Table 12. Alert Codes and Troubleshooting

GF= Gas Furnace, AH=Air Handler, ID=Indoor unit (GF or AH), HP=Heat Pump, AC=Air Conditioner, OD=Outdoor Unit (AC or HP), ZA=Zone system and TS=Thermostat

Alert Code	Inverter Code	Inverter Flash Code		Priority Condition	Actual Displayed Alert Text	Component or System Operational State and Troubleshooting Tip	How to Clear Alert Code
		Red LED	Green LED				
416				Service Soon	OD Coil Sensor Faulty	<p>The outdoor coil sensor is either open, short-circuited or the temperature is out of sensor range.</p> <ul style="list-style-type: none"> <li>Outdoor unit control will not perform demand or time / temperature defrost operation. (System will still heat or cool.)</li> <li>This fault is detected by allowing the unit to run for 90 seconds before checking sensor resistance. If the sensor resistance is not within range after 90 seconds, the control will display a moderate code.</li> <li>Advances from moderate to critical after ten (10) minutes.</li> <li>Plug-in sensor harness correctly.</li> <li>Check resistance of sensor to determine if it is open, shorted, out of temperature calibration or out of ambient temperature range. Replace if out-of-specifications.</li> </ul>	<p>Automatically clears when outdoor unit control detects proper sensor readings.</p> <p>If sensor is faulty and the system is reporting the condition as critical, replaced sensor. Reset power to clear alert code.</p>
422				Service Soon	OD Compressor Top Cap Switch Open	<p>Compressor top cap switch exceeding thermal limit.</p> <ul style="list-style-type: none"> <li>Check condenser fan motor, TXV and indoor unit blower motor.</li> <li>Check for stuck reversing valve or clogged refrigerant filter.</li> <li>Check to ensure that one of the wires from the top cap switch has not been disconnected from one of the <b>TP</b> terminals on the outdoor control. Reconnect wire if disconnected.</li> <li>Check superheat and sub-cooling.</li> </ul>	<p>Automatically clears when error is corrected.</p>
423	40	4 flashes	OFF	Service Soon/ Service Urgent	OD Inverter CT Circuit Fault	<p>The inverter has detected a circuit issue.</p> <ul style="list-style-type: none"> <li>When this condition is detected the outdoor control will stop outdoor unit operations and start the anti-short cycle timer – moderate condition.</li> <li>Outdoor control will lockout unit after 10 strikes within an hour – critical condition.</li> <li>Inverter LEDs will flash code 40</li> <li>Refer to the unit service documentation for troubleshooting procedures.</li> </ul> <p><b>Inverter flash code 40:</b></p> <p>The sequence is:                      Red LED: Four Flashes                      Green LED: Off</p> <p><b>NOTE:</b> Inverter normal operations with no error code present is as follows. Red LED is ON and Green LED is OFF.</p>	<p>A moderate alert code will clear automatically when the inverter detects the condition no longer exist and will send a clear alert code message.</p> <p>To clear critical alert code disconnect power to outdoor unit and restart.</p>
424				Service Soon	OD Liquid Line Sensor Faulty	<p>The liquid line temperature sensor has malfunctioned.</p> <ul style="list-style-type: none"> <li>In normal operation after outdoor control recognizes sensors, the alert code will be sent if a valid temperature reading is lost.</li> <li>Compare liquid line sensor resistance to temperature / resistance charts in unit installation instructions.</li> <li>Replace sensor pack if necessary.</li> <li>At the beginning of (any) configuration, furnace or air handler control will detect the presence of the sensor(s).</li> <li>If detected (reading in range), appropriate feature will be set as 'installed' and shown in the thermostat 'About' screen.</li> </ul>	<p>Automatically clears upon configuration, or sensing normal values.</p>
426				Service Urgent	OD Excessive Inverter Alarms	<p>After 10 faults within 60 consecutive minutes, the control will lockout. Inverter will flash codes 12 to 14 and 53.</p> <p><b>NOTE:</b> These inverter codes do not count towards this lockout condition.</p>	<p>To clear disconnect power to outdoor control and restart.</p>

Table 12. Alert Codes and Troubleshooting



GF= Gas Furnace, AH=Air Handler, ID=Indoor unit (GF or AH), HP=Heat Pump, AC=Air Conditioner, OD=Outdoor Unit (AC or HP), ZA=Zone system and TS=Thermostat							
Alert Code	Inverter Code	Inverter Flash Code		Priority Condition	Actual Displayed Alert Text	Component or System Operational State and Troubleshooting Tip	How to Clear Alert Code
		Red LED	Green LED				
427	21	2 flashes	1 flash	Service Soon/ Service Urgent	OD Inverter DC Peak Fault	<p>The inverter has detected a DC peak fault condition.</p> <ul style="list-style-type: none"> <li>If condition (55A or higher) is detected, outdoor unit will stop (compressor and fan) – moderate condition.</li> <li>Anti-short cycle is initiated.</li> <li>If peak current (55A or higher) occurs 10 times within an hour, system will lockout – critical condition.</li> <li>Inverter LEDs will flash code 21.</li> <li>If the unit is a variable capacity heat pump, this error may occur entering or exiting a defrost cycle as the compressor restarts after the 30 second compressor shift delay. If the unit was manufactured prior to serial number 5817F and has frequent alert code 427, then compare the inverter part number to the latest part number listed in the unit repair parts. Units produced after serial number 5817F which is listed on the unit name plate have an inverter with updated software that includes compressor current slope logic to reduce the potential of alert code 427 instances from occurring during defrost. Replace the inverter with the latest inverter if necessary.</li> <li>Refer to the unit service documentation for detailed troubleshooting procedures.</li> </ul> <p><b>NOTE:</b> Serial number format on unit name plate is PYYMNNNNN (PP = Manufacturing Plant, YY and M represents the year and month made).</p> <p><b>Inverter flash code 21.</b></p> <p>The sequence is:</p> <ul style="list-style-type: none"> <li>Red LED: Two Flashes</li> <li>Green LED: One Flash</li> </ul> <p><b>NOTE:</b> Inverter normal operations with no error code present is as follows. Red LED is ON and Green LED is OFF.</p>	To clear, disconnect and reconnect power to outdoor control.
428	22	2 flashes	2 flashes	Service Soon/ Service Urgent	OD Inverter High Main Input Current	<p>The inverter has detected a high main input current condition.</p> <ul style="list-style-type: none"> <li>If condition is detected, outdoor unit will stop (compressor and fan) – moderate condition.</li> <li>Anti-short cycle is initiated.</li> <li>If condition occurs 10 times within an hour, system will lockout – critical condition.</li> <li>Inverter LEDs will flash code 22.</li> <li>Refer to the unit service documentation for detailed troubleshooting procedures.</li> </ul> <p><b>Inverter flash code 22.</b></p> <p>The sequence is:</p> <ul style="list-style-type: none"> <li>Red LED: Two Flashes</li> <li>Green LED: Two Flashes</li> </ul> <p><b>NOTE:</b> Inverter normal operations with no error code present is as follows. Red LED is ON and Green LED is OFF.</p>	To clear, disconnect power to outdoor unit and restart.

Table 12. Alert Codes and Troubleshooting

GF= Gas Furnace, AH=Air Handler, ID=Indoor unit (GF or AH), HP=Heat Pump, AC=Air Conditioner, OD=Outdoor Unit (AC or HP), ZA=Zone system and TS=Thermostat

Alert Code	Inverter Code	Inverter Flash Code		Priority Condition	Actual Displayed Alert Text	Component or System Operational State and Troubleshooting Tip	How to Clear Alert Code
		Red LED	Green LED				
429	23	2 flashes	3 flashes	Service Soon/ Service Urgent	OD Inverter DC Link Low Voltage	<p>The inverter has detected a DC link low voltage condition.</p> <ul style="list-style-type: none"> <li>On a call for compressor operation, if DC link power in inverter does not rise above 180 VDC for 2- and 3-ton models, 250 VDC for 4- and 5-ton models within 30 seconds, the control will display a moderate code.</li> <li>If condition is detected, outdoor unit will stop (compressor and fan) – moderate condition.</li> <li>An anti-short cycle timer is initiated. If condition occurs 10 times within a 60 consecutive minutes, system will lock out and display alert code 429 – critical condition.</li> <li>The outdoor control anti-short cycle timer will time out and the unit will recycle the demand.</li> <li>Inverter LEDs will flash code 23.</li> <li>Refer to the unit service documentation for detailed troubleshooting procedures. Perform test function and verify inverter DC link and line input voltage and current. Also check input to filter board and reactor before replacing inverter board.</li> </ul> <p><b>Inverter flash code 23.</b></p> <p>The sequence is:</p> <ul style="list-style-type: none"> <li>Red LED: Two Flashes</li> <li>Green LED: Three Flashes</li> </ul> <p><b>NOTE:</b> Inverter normal operations with no error code present is as follows. Red LED is ON and Green LED is OFF.</p> <p><b>Troubleshooting Suggestions:</b></p> <ul style="list-style-type: none"> <li><b>Check wire connections (U, V and W) at inverter plug in harness and compressor.</b></li> <li><b>Check the resistance of compressor windings. If not in range, replace compressor.</b></li> <li>Check compressor to ground. If ground issue, replace compressor.</li> <li>Check input power (Single Phase - 208/230VAC ± 10%. If out of range, correct main power issue.</li> <li>Check DC Link voltage and MICOM Sensing voltage. If out of range, replace inverter. if okay, possible mechanical issue with compressor.</li> </ul> <p>Go to outdoor unit service manual for detail troubleshooting procedures and require values for testing DC link voltages and various insulation resistance characteristics.</p>	Automatically clears when the system detects that the issue no longer exists.
430	26	2 flashes	6 flashes	Service Soon/ Service Urgent	OD Inverter Compressor Startup Fail	<p>Compressor start-up failure.</p> <ul style="list-style-type: none"> <li>If condition is detected, outdoor unit will stop (compressor and fan) – moderate condition.</li> <li>Anti-short cycle is initiated.</li> <li>If condition occurs 10 times within 60 consecutive minutes, the system will lockout – critical condition.</li> <li>Inverter LEDs will flash code 26.</li> <li>Refer to the unit service documentation for detailed troubleshooting procedures.</li> </ul> <p><b>Inverter flash code 26.</b></p> <p>The sequence is:</p> <ul style="list-style-type: none"> <li>Red LED: Two Flashes</li> <li>Green LED: Six Flashes</li> </ul> <p><b>NOTE:</b> Inverter normal operations with no error code present is as follows. Red LED is ON and Green LED is OFF.</p> <ul style="list-style-type: none"> <li>Check refrigerant</li> <li>Replace outdoor control board</li> <li>Replace inverter.</li> </ul>	To clear, disconnect power to outdoor unit and restart.

Table 12. Alert Codes and Troubleshooting

GF= Gas Furnace, AH=Air Handler, ID=Indoor unit (GF or AH), HP=Heat Pump, AC=Air Conditioner, OD=Outdoor Unit (AC or HP), ZA=Zone system and TS=Thermostat

Alert Code	Inverter Code	Inverter Flash Code		Priority Condition	Actual Displayed Alert Text	Component or System Operational State and Troubleshooting Tip	How to Clear Alert Code
		Red LED	Green LED				
431	27	2 flashes	7 flashes	Service Soon/ Service Urgent	OD Inverter PFC Fault	<p>The inverter has detected a PFC circuit over-current condition.</p> <ul style="list-style-type: none"> <li>• Error occurs when PFC detects an over current condition of 100A peak.</li> <li>• If condition is detected, outdoor unit will stop (compressor and fan) – moderate condition.</li> <li>• Anti-short cycle timer is initiated.</li> <li>• If condition occurs 10 times within 60 consecutive minutes, the system will lockout – critical condition.</li> <li>• Inverter LEDs will flash code 27.</li> <li>• Refer to the unit service documentation for detailed troubleshooting procedures.</li> </ul> <p><b>Inverter flash code 27.</b></p> <p>The sequence is:</p> <ul style="list-style-type: none"> <li>• Red LED: Two Flashes</li> <li>• Green LED: Seven Flashes</li> </ul> <p><b>NOTE:</b> Inverter normal operations with no error code present is as follows. Red LED is ON and Green LED is OFF.</p>	To clear, disconnect power to outdoor unit and restart.
432	28	2 flashes	8 flashes	Service Soon/ Service Urgent	OD Inverter DC Link High Voltage	<p>The inverter has detected a DC link high voltage condition.</p> <ul style="list-style-type: none"> <li>• Error occurs when the DC link capacitor voltage is greater than 480 VDC.</li> <li>• If condition is detected, outdoor unit will stop (compressor and fan) – moderate condition.</li> <li>• Anti-short cycle timer is initiated.</li> <li>• If condition occurs 10 times within 60 consecutive minutes, the system will lockout – critical condition.</li> <li>• Inverter LEDs will flash code 28.</li> <li>• Refer to the unit service documentation for detailed troubleshooting procedures.</li> </ul> <p><b>Inverter flash code 28.,</b></p> <p>The sequence is:</p> <ul style="list-style-type: none"> <li>• Red LED: Two Flashes</li> <li>• Green LED: Eight Flashes</li> </ul> <p><b>NOTE:</b> Inverter normal operations with no error code present is as follows. Red LED is ON and Green LED is OFF.</p> <p><b>Troubleshooting Suggestions:</b></p> <ul style="list-style-type: none"> <li>• Check wire connections (U, V and W) at inverter plug in harness and compressor.</li> <li>• Check the resistance of compressor windings. If not in range, replace compressor.</li> <li>• Check compressor to ground. If ground issue, replace compressor.</li> <li>• Check input power (Single Phase - 208/230VAC ± 10%. If out of range, correct main power issue.</li> <li>• Check DC Link voltage and MICOM Sensing voltage. If out of range, replace inverter. if okay, possible mechanical issue with compressor.</li> </ul> <p>Go to outdoor unit service manual for detail troubleshooting procedures and require values for testing DC link voltages and various insulation resistance characteristics.</p>	To clear, disconnect power to outdoor unit and restart.

Table 12. Alert Codes and Troubleshooting

GF= Gas Furnace, AH=Air Handler, ID=Indoor unit (GF or AH), HP=Heat Pump, AC=Air Conditioner, OD=Outdoor Unit (AC or HP), ZA=Zone system and TS=Thermostat

Alert Code	Inverter Code	Inverter Flash Code		Priority Condition	Actual Displayed Alert Text	Component or System Operational State and Troubleshooting Tip	How to Clear Alert Code
		Red LED	Green LED				
433	29	2 flashes	9 flashes	Service Soon/ Service Urgent	OD Inverter Compressor Over-current	<p>Compressor phase current is too high.</p> <ul style="list-style-type: none"> <li>• During initial startup, a six minute time delay is implement to prevent the alarm from occurring.</li> <li>• Error occurs when compressor peak phase current is greater than 28 amps.</li> <li>• Inverter will issue inverter code 14 first and slow down to try to reduce the current.</li> <li>• If the current remains high, outdoor unit will stop (compressor and fan) – moderate condition.</li> <li>• Cycle timer is initiated.</li> <li>• If condition occurs five times within 60 consecutive minutes, the system will lockout – critical condition.</li> <li>• This alert code may be triggered by the inverter or the Comfort-Aire or Century variable capacity outdoor (inverter controlled) unit.</li> <li>• Comfort-Aire or Century outdoor control may trigger an this alert code if the inverter reduces the compressor speed which is identified as a alert code 441 and the compressor speed (in hz) is below the minimum speed. This will typically occur at start-up. The inverter automatically increases the compressor minimum speed below 45°F in the heating mode and above 115°F ensure the compressor capacity is sufficient for oil return. If alert code 433 occurs and inverter does not indicate an inverter code 29, the Comfort-Aire or Century communicating Comfort-Aire or Century outdoor control triggered the alert code 433.</li> <li>• Inverter LEDs will flash code 29.</li> <li>• Refer to the unit service documentation for detailed troubleshooting procedures.</li> </ul> <p><b>Inverter flash code 29.</b></p> <p>The sequence is:</p> <ul style="list-style-type: none"> <li>• Red LED: Two Flashes</li> <li>• Green LED: Nine Flashes</li> </ul> <p><b>NOTE:</b> Inverter normal operations with no error code present is as follows. Red LED is ON and Green LED is OFF.</p>	To clear alert code disconnect power to both the indoor and outdoor units and then reconnect power. Restart system.

Table 12. Alert Codes and Troubleshooting

GF= Gas Furnace, AH=Air Handler, ID=Indoor unit (GF or AH), HP=Heat Pump, AC=Air Conditioner, OD=Outdoor Unit (AC or HP), ZA=Zone system and TS=Thermostat							
Alert Code	Inverter Code	Inverter Flash Code		Priority Condition	Actual Displayed Alert Text	Component or System Operational State and Troubleshooting Tip	How to Clear Alert Code
		Red LED	Green LED				
434	53	5 flashes	3 flashes	Service Soon/ Service Urgent	OD Inverter Comm Error to Main Control	<ul style="list-style-type: none"> <li>Outdoor control has lost communications with the inverter continuously during a single thermostat call and one hour period.</li> <li>Outdoor control will stop all compressor demands – moderate condition.</li> <li>Indoor blower will stop functioning.</li> </ul> <p><b>NOTE:</b> Indoor blower will not run in test mode either when alert code 434 is active. Only after system reset will it operate.</p> <ul style="list-style-type: none"> <li>This alert code will occur if the outdoor unit power is turned off and the indoor unit power (24VAC to Comfort-Aire or Century outdoor control) remains on, or if the indoor unit power is turned off (24VAC to Comfort-Aire or Century outdoor control) and the outdoor unit power is on. This could occur while performing service or maintenance procedures on the indoor or outdoor unit.</li> <li>The Comfort-Aire or Century outdoor control will attempt to re-establish communication to the inverter when the alert code 434 occurs by cycling the outdoor unit contactor off for two minutes. Upon energizing the contactor the Comfort-Aire or Century outdoor control will attempt to communicate to the inverter for three minutes. This process will be repeated three times in attempt to establish communication before locking out.</li> <li>If the unit is locked out with a critical alert code 434, reset the system by cycling the outdoor unit power off and back on. Then cycle the indoor power off (24VAC to the Comfort-Aire or Century outdoor control) and then back on.</li> <li>If this condition continuously occurs during a one hour period and during a single thermostat call, the outdoor unit will lock out and display alert code 434 – critical condition.</li> </ul> <p><b>Troubleshooting Options:</b></p> <ul style="list-style-type: none"> <li>Check for loose or disconnected electrical connections.</li> <li>Interruption of main power to inverter.</li> <li>Inverter LEDs will flash code 53.</li> <li>Refer to the unit service documentation for detailed troubleshooting procedures.</li> </ul> <p><b>Inverter flash code 53.</b></p> <p>The sequence is:</p> <ul style="list-style-type: none"> <li>Red LED: Five Flashes</li> <li>Green LED: Three Flashes</li> </ul> <p><b>NOTE:</b> Inverter normal operations with no error code present is as follows. Red LED is ON and Green LED is OFF</p>	<p>Automatically clears when the system detects that the issue no longer exists.</p> <p>If the unit is locked out with a critical alert code 434, reset the system by first cycling the outdoor unit power off and back. Then cycle the indoor power off (24VAC to the Comfort-Aire or Century outdoor control) and then back on.</p>
435	60	6 flashes	OFF	Service Urgent	OD Inverter EEPROM Checksum fault	<p>Inverter internal error.</p> <ul style="list-style-type: none"> <li>When this error occurs, the outdoor control will cycle power to the inverter by opening the contactor for two minutes – moderate condition.</li> <li>Outdoor control will cycle power to the inverter three times and then outdoor unit is locked out – critical condition.</li> <li>Inverter LEDs will flash code 60.</li> <li>Refer to the unit service documentation for detailed troubleshooting procedures.</li> </ul> <p><b>Inverter flash code 60.</b></p> <p>The sequence is:</p> <ul style="list-style-type: none"> <li>Red LED: Six Flashes</li> <li>Green LED: Off</li> </ul> <p><b>NOTE:</b> Inverter normal operations with no error code present is as follows. Red LED is ON and Green LED is OFF.</p>	<p>To clear alert code disconnect power to outdoor unit and restart.</p>

Table 12. Alert Codes and Troubleshooting

GF= Gas Furnace, AH=Air Handler, ID=Indoor unit (GF or AH), HP=Heat Pump, AC=Air Conditioner, OD=Outdoor Unit (AC or HP), ZA=Zone system and TS=Thermostat

Alert Code	Inverter Code	Inverter Flash Code		Priority Condition	Actual Displayed Alert Text	Component or System Operational State and Troubleshooting Tip	How to Clear Alert Code
		Red LED	Green LED				
436	62	6 flashes	2 flashes	Service Soon/ Service Urgent	OD Inverter High Heat-Sink Temperature	<p>Inverter heat sink temperature exceeded limit.</p> <ul style="list-style-type: none"> <li>This occurs when the heat sink temperature exceeds the inverter limit. Inverter will issue inverter alert code 13 first and slow down to try to cool the heat sink.</li> <li>If temperature remains high, outdoor unit will stop both compressor and fan – moderate condition.</li> <li>Anti-short cycle is initiated.</li> <li>If condition occurs five times within an hour, system will lockout – critical condition.</li> <li>The screws that hold the inverter to the inverter board were loose causing poor contact between these two components.</li> <li>Tighten screws that hold the heat sink to the inverter control board.</li> </ul> <p><b>NOTE:</b> Wait five minutes for all capacitors to discharge before checking screws.</p> <ul style="list-style-type: none"> <li>Inverter LEDs will flash code 62.</li> <li>Refer to the unit service documentation for detailed troubleshooting procedures.</li> </ul> <p><b>Inverter flash code 62.</b></p> <p>The sequence is:</p> <ul style="list-style-type: none"> <li>Red LED: Six Flashes</li> <li>Green LED: Two Flashes</li> </ul> <p><b>NOTE:</b> Inverter normal operations with no error code present is as follows. Red LED is ON and Green LED is OFF.</p>	<p>Moderate condition will automatically clear when the inverter sends an alert code clear message.</p> <p>Critical condition is cleared by disconnecting power to the outdoor unit and restart.</p>
437	65	6 flashes	5 flashes	Service Soon/ Service Urgent	OD Inverter Heat-Sink temp Sensor Fault	<p>Heat sink temperature sensor fault has occurred (temperature less than 4°F or greater than 264°F after 10 minutes of operation).</p> <ul style="list-style-type: none"> <li>When the temperature sensor detects a temperature less than 4°F or greater than 264°F after 10 minutes of operation.</li> <li>Outdoor unit will stop both compressor and fan – moderate condition.</li> <li>Anti-short cycle is initiated.</li> <li>If condition occurs five times within an hour, system will lockout – critical condition.</li> <li>Inverter LEDs will flash code 65.</li> <li>Refer to the unit service documentation for detailed troubleshooting procedures.</li> </ul> <p><b>Inverter flash code 65.</b></p> <p>The sequence is:</p> <ul style="list-style-type: none"> <li>Red LED: Six Flashes</li> <li>Green LED: Five Flashes</li> </ul> <p><b>NOTE:</b> Inverter normal operations with no error code present is as follows. Red LED is ON and Green LED is OFF.</p>	<p>Moderate priority condition will automatically clear when the inverter sends an alert code clear message.</p> <p>Critical priority condition can be cleared by disconnecting and reconnecting power to outdoor unit to restart.</p>

Table 12. Alert Codes and Troubleshooting

GF= Gas Furnace, AH=Air Handler, ID=Indoor unit (GF or AH), HP=Heat Pump, AC=Air Conditioner, OD=Outdoor Unit (AC or HP), ZA=Zone system and TS=Thermostat

Alert Code	Inverter Code	Inverter Flash Code		Priority Condition	Actual Displayed Alert Text	Component or System Operational State and Troubleshooting Tip	How to Clear Alert Code
		Red LED	Green LED				
438	73	7 flashes	3 flashes	Service Urgent	OD Inverter PFC Input Over-current	<p>The inverter has detected a power factor correction (PFC) circuit over-current condition.</p> <ul style="list-style-type: none"> <li>The inverter has detected an PFC over current condition. This may be caused by a high load condition, high pressure, or outdoor fan failure.</li> <li>Outdoor control will display the code when the inverter has detected the error – moderate condition.</li> <li>After three minutes, the inverter will reset and the compressor will resume operation.</li> <li>If the error condition occurs 10 times within a 60 minute rolling time period, the outdoor unit control will lock out operation of the outdoor unit – critical condition.</li> <li>Possible issue is system running at high pressures.</li> <li>Check for high pressure trips or other alert codes in thermostat and outdoor control.</li> <li>Inverter LEDs will flash code 73.</li> <li>Refer to the unit service documentation for detailed troubleshooting procedures.</li> </ul> <p><b>Inverter flash code 73.</b></p> <p>The sequence is:</p> <ul style="list-style-type: none"> <li>Red LED: Seven Flashes</li> <li>Green LED: Three Flashes</li> </ul> <p><b>NOTE:</b> Inverter normal operations with no error code present is as follows. Red LED is ON and Green LED is OFF.</p>	<p>Moderate priority condition is automatically cleared when the inverter sends a clear message.</p> <p>Critical priority condition will automatically clear when inverter is power cycled.</p>

**Table 12. Alert Codes and Troubleshooting**

GF= Gas Furnace, AH=Air Handler, ID=Indoor unit (GF or AH), HP=Heat Pump, AC=Air Conditioner, OD=Outdoor Unit (AC or HP), ZA=Zone system and TS=Thermostat

Alert Code	Inverter Code	Inverter Flash Code		Priority Condition	Actual Displayed Alert Text	Component or System Operational State and Troubleshooting Tip	How to Clear Alert Code
		Red LED	Green LED				
440	13	1 flash	3 flashes	Information Only-Dealer	OD Inverter Compressor Slowdown - High Heat-Sink temperature	<p>Compressor slowdown due to high heat sink temperature.</p> <ul style="list-style-type: none"> <li>Heat sink temperature is approaching limit.</li> <li>The compressor speed automatically slows to reduce heat sink temperature.</li> <li>The control sets indoor CFM and outdoor RPM to values according to demand percentage rather than the actual Hz.</li> <li>The screws that hold the inverter to the inverter board may be loose causing poor contact between these two components.</li> <li>Tighten screws that hold the heat sink to the inverter control board.</li> </ul> <p><b>NOTE:</b> Wait five minutes for all capacitors to discharge before checking screws.</p> <ul style="list-style-type: none"> <li>This error code is primarily for informational purposes as the inverter controls the compressor speed to operate within design parameters. Typically the inverter will make a minor speed reduction of 4 Hz (approximately a 5-6% speed reduction) for a brief period of time and to reduce the heat sink temperature and will then resume normal operation. This may occur at high outdoor temperatures (above 110°F) for brief periods of time (3 – 4 minutes) and is normal and expected operation of the inverter controlling the compressor safely within design parameters.</li> <li>The inverter finned aluminum heat sink is located on the back side of the inverter in the condenser air stream. If the alert code 440 occur frequently, especially at lower outdoor temperatures, check the heat sink for debris that may reduce heat transfer or possible obstructions that may impact air flow across the heat sink.</li> <li>The inverter will begin to briefly reduce the compressor speed when the heat sink temperature rises above 185°F and will allow the inverter to resume the requested compressor demand speed once the inverter heat sink reaches 176°F. The heat sink temperature, compressor speed in Hertz &amp; the Inverter Compressor Speed Reduction status (“On” or “Off ”) notification can be viewed under the outdoor unit Diagnostics section of the thermostat dealer control center.</li> <li>Inverter LEDs will flash code 13.</li> <li>Refer to the unit service documentation for detailed troubleshooting procedures.</li> </ul> <p><b>Inverter flash code 13.</b></p> <p>The sequence is:</p> <ul style="list-style-type: none"> <li>Red LED: One Flash</li> <li>Green LED: Three Flashes</li> </ul> <p><b>NOTE:</b> Inverter normal operations with no error code present is as follows. Red LED is ON and green LED is OFF.</p>	Automatically clears when the condition no longer exists.

Table 12. Alert Codes and Troubleshooting



GF= Gas Furnace, AH=Air Handler, ID=Indoor unit (GF or AH), HP=Heat Pump, AC=Air Conditioner, OD=Outdoor Unit (AC or HP), ZA=Zone system and TS=Thermostat							
Alert Code	Inverter Code	Inverter Flash Code		Priority Condition	Actual Displayed Alert Text	Component or System Operational State and Troubleshooting Tip	How to Clear Alert Code
		Red LED	Green LED				
441	14	1 flash	4 flashes	Information Only-Dealer	OD Inverter Compressor Slowdown - High Compressor Current	<p>This alert code is for more information than an issue with the system.</p> <ul style="list-style-type: none"> <li>When the inverter gets close to the current or heat sink temperature limit, it will limit the ramp rate. Instead of changing compressor speed at 1 hz/second, it changes to 5 hz/20 seconds.</li> <li>Compressor slowdown due to high compressor current.</li> <li>Compressor current is approaching limit.</li> <li>The compressor speed automatically slows.</li> <li>This error code is primarily for informational purposes as the inverter controls the compressor to operate within design parameters. Alert code 441 typically occurs at startup as the compressor current increases rapidly during startup.</li> <li>The inverter will reduce the compressor speed by 4 Hz and slow the compressor ramp up speed to the requested compressor demand speed (capacity). This is normal and expected operation of the inverter to control the inverter within design parameters. In most cases the alert code 441 notification does not require any additional service or diagnostic procedures.</li> <li>The control sets indoor CFM and outdoor RPM to values according to demand percentage rather than the actual Hz.</li> <li>Possible issue is system running at high pressures.</li> <li>Check for high pressure trips or other alert codes in thermostat and outdoor control.</li> <li>Inverter LEDs will flash code 14.</li> <li>Refer to the unit service documentation for detailed troubleshooting procedures.</li> </ul> <p><b>Inverter flash code 14.</b></p> <p>The sequence is:</p> <ul style="list-style-type: none"> <li>Red LED: One Flash</li> <li>Green LED: Four Flashes</li> </ul> <p><b>NOTE:</b> Inverter normal operations with no error code present is as follows. Red LED is ON and green LED is OFF.</p>	Automatically clears when the condition no longer exists.
442				Service Urgent	OD Compressor Top Cap Switch Strikes Lockout	<p>The top cap switch has opened five times within one hour. As a result, the outdoor unit is locked out.</p> <ul style="list-style-type: none"> <li>This condition occurs when compressor thermal protection sensor opens five times within one hour.</li> <li>Outdoor unit will stop.</li> </ul>	To clear, disconnect power to outdoor unit and restart.
443				Service Urgent	OD MUC Unit Code To Inverter Model Mismatch	<p>The Comfort-Aire or Century variable capacity unitary control (outdoor control) has incorrect appliance unit size code selected.</p> <ul style="list-style-type: none"> <li>Check for proper configuring under unit size code used for outdoor unit (see unit configuration guide or in installation instructions).</li> <li>If replacing inverter, verify inverter model matches unit size.</li> <li>Remove the thermostat from the system while applying power and reprogramming.</li> </ul>	Automatically clears after the correct match is detected following a power reset.
600				Information Only-Dealer	Load Shed Event	<p>Compressor has been cycled OFF on utility load shedding.</p> <ul style="list-style-type: none"> <li>Load shedding function provides a method for a local utility company to limit the maximum power level usage of the outdoor unit.</li> <li>The feature is activated by applying 24VAC power across the <b>L</b> and <b>C</b> terminals on the outdoor control</li> </ul>	Automatically clears when L terminal is inactive.
601				Information Only-Dealer	OD Unit Low Ambient Operational Lockout	<ul style="list-style-type: none"> <li>Outdoor unit has been cycled off on low temperature protection.</li> <li>Outdoor unit will not operate when the outdoor ambient is at or below 4°F (-15.6°C).</li> <li>If the unit is satisfying a demand (running) and the outdoor ambient drops below 4°F (-15.6°C), the unit will continue to operate until the demand has been satisfied or the outdoor ambient drops to 15°F (-9.4°C) which will result in the unit being locked out (shut down).</li> </ul>	Automatically clears when low temperature condition no longer exists.

Table 12. Alert Codes and Troubleshooting

**POWER-UP / RESET:**

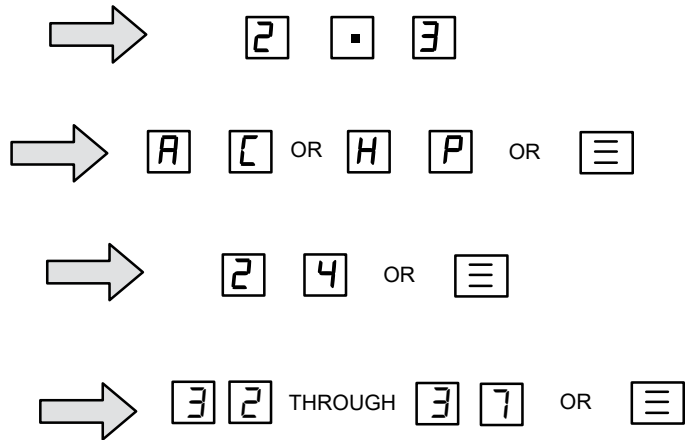
**FIRMWARE VERSION:** During initial power-up or reset, the first item displayed is the outdoor control firmware version. Example to the right shows firmware version 2.3.

**UNIT TYPE:** The next item displayed is the self discovery unit type. AC = air conditioner and HP = heat pump. If the unit type cannot be determined, three bars appear.

**UNIT NOMINAL CAPACITY:** The next item to be displayed is the self-discovery unit nominal capacity. Valid capacities are 24 for 2-ton, 36 for 3-ton, 48 for 4-ton and 60 for 5-ton units. If the unit type cannot be determined, three bars appear.

**UNIT CODE:** The next item to be displayed is the self discovery unit code. (may be a single character or two characters). If the unit code cannot be determined, three bars appear.

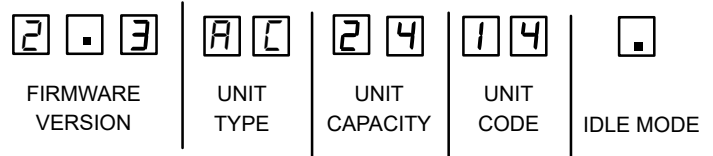
**7-SEGMENT POWER-UP DISPLAY STRING**



*(These are just examples of firmware version, unit type, unit nominal capacity and unit codes.)*

UNIT CODE	UNIT TYPE, SIZE AND MODEL	
[≡]	NOT PROGRAMMED	
[5] [8]	2 TON - HP mode	HRG1836S1P
[6] [0]	3 TON - HP mode	HRG1836S1P
[6] [2]	4 TON - HP mode	HRG1860S1P
[6] [3]	5 TON - HP mode	HRG1860S1P

**7-SEGMENT POWER-UP DISPLAY STRING EXAMPLE**



**Figure 17. Outdoor Control 7-Segment Unit Status Displays**

Description	Example of Display
<b>Idle Mode:</b> Decimal point flashes at 1 Hz.	<b>Idle Mode:</b> Decimal point flashes at 1 Hz (0.5 second on, 0.5 second off). Display OFF.
<p><b>Soft Disable Mode:</b> Top and bottom horizontal line and decimal point flash at 1 Hz.</p> <p>If indoor or outdoor control displays Soft Disable code:</p> <ol style="list-style-type: none"> <li>1) Confirm proper wiring between all devices (thermostat, indoor and outdoor).</li> <li>2) Cycle power to the control that is displaying the Soft Disable code.</li> <li>3) Put the room thermostat through Setup.</li> <li>4) Go to Setup/System Devices/Thermostat/Edit/push Reset.</li> <li>5) Go to Setup/System Devices/Thermostat/Edit/push Reset All.</li> </ol> <p>If the room thermostat detects a new device or a device that is not communicating, it sends a Soft Disable. When this occurs, Alarm 10 is activated and the room thermostat sends a Soft Disable command to the offending device on the bus (outdoor control, IFC, AHC, EIM or Damper Control Module).</p>	<p><b>Soft Disable Mode:</b> Top and bottom horizontal line and decimal point flash at 1 Hz (0.5 second on, 0.5 second off).</p> <p>The control in Soft Disable Mode is indicated by the following:</p> <ul style="list-style-type: none"> <li>• On AHC, IFC and outdoor controls, Soft Disable Mode is indicated by flashing double horizontal lines on the 7-segment display.</li> <li>• On the Damper Control Module and EIM, the green LED will blink 3 seconds on and 1 second off.</li> </ul>
<b>O.E.M. Test Mode</b>	All segments flashing at 2 Hz (unless error is detected). NOTE - Control should be replaced.
Anti-Short-Cycle Delay	The middle line flashes at 1 Hz for 2 seconds, followed by a 2-second display of the number of minutes left on the timer (value is rounded up: 2 min. 1 sec. is displayed as 3). If activated, the anti-short cycle delay time remaining is displayed (default is 300 sec./5 min.).
<b>Cooling Capacity:</b> Shows cooling stage C1 or C2 operating if non-communicating.	<p>Cooling compressor capacity (1second on, 0.5 second off) followed by ambient temperature.</p> <p>Non-Communicating thermostat with second stage cooling active and ambient of 95F : C 2 pause A 9 5 repeat.</p> <p>C 5 0 pause A 7 6</p>
<b>Diagnostic recall:</b> Shows the last 10 stored diagnostic error codes.	<p>If first error is E 2 5 0, second E 2 3 1 pause E 2 5 0 pause E 2 3 1</p> <p>Next codes (up to 10) are shown using same method.</p>
<b>Fault memory clears</b>	<p>If there are no error codes stored: E pause 0 0 0.</p> <p>After the fault memory is cleared, the following string flashes every 0.5 seconds:</p> <p>0 0 0 0 pause</p>
<b>Active error in outdoor control Idle mode:</b> Show all active error(s) codes.	Following display string is repeated if Error E 125 and E 201 are present: E 1 2 5 pause E 2 0 1
<b>Active error in run mode:</b> Show current status and all active error(s) codes.	Following display string is repeated if Error E 440 is present while cooling demand is 80 percent: C 8 0 pause E 4 4 0
<b>Outdoor Ambient Temperature (OAT):</b> Any time OAT is within operating range, value is displayed if unit is in diagnostic and non-diagnostic modes.	Following display string is repeated if cooling is active and OAT is 104°F: C 3 5 pause A 1 0 4 pause
<b>Liquid Line Temperature (LIQ):</b> Any time LIQ is sensed in operating range, value is displayed if unit is in diagnostic mode or manually enabled for non-diagnostic modes.	Following display string is repeated if cooling is active and LIQ is 105°F: C 3 1 pause L 1 0 5 pause
<b>Charge Mode:</b> When unit is in the charge mode, Suction pressure (SPxxx), Suction Temp (Stxx.x), Superheat (SHxx.x), Liquid pressure (LPxxx), Liquid Temp (Ltxx.x) and subcooling (SCxx.x) will be scrolled on the 7-segment display	The following string is repeated: S P 1 3 5 pause S t 6 2 pause S H 1 5 pause L P 3 4 5 pause L t 9 6 pause S C 1 0 Repeat

Table 13. Outdoor Control 7-Segment Unit Status Displays

Idle mode – System is energized with no demand – Decimal flashes at 1 Hertz > 0.5 second ON. 0.5 second OFF		
Display Symbol or Character	Display	Fan Test and Display String Option
Displayed during start-up or power recycling	Display string shows outdoor control firmware version <i>I</i> <i>_</i> <i>b</i> > pause > <i>R</i> <i>ε</i> or <i>H</i> <i>P</i> unit > pause > unit capacity in BTUs > pause > unit code. If 3 horizontal bars are displayed during any sequence of this display string, it indicates that the specific parameter is not configured.	
-	Idle mode — decimal flashes at 1 Hertz > 0.5 second ON, 0.5 second OFF	
ε	Indicates cooling Capacity. C1 or C2 if conventional 24VAC thermostat or demand percentage.	
F	Indicates you are in the outdoor fan test mode	<b>Control must be in Idle mode:</b> To enter fan test option - <i>F</i> mode, push and hold button until solid – appears, release button. Display begins flashing. Within 10 seconds, push and hold button until required symbol <i>F</i> displays, release button. Display begins flashing. Within 10 seconds, push and hold button until display stops flashing, release button. Control will initiate outdoor fan operation. Outdoor fan cycles ON for 10 minutes at the highest speed. To exit test – Push and hold button until three horizontal bars display. Release button, outdoor fan cycles <b>OFF</b> .
R	<i>R</i> in the display string represents the ambient temperature in °F at the sensor on the outdoor unit.	<b>Control can be in Idle or demand mode:</b> To enter display configuration option - <i>R</i> mode, push and hold button until solid – appears, release button. Display begins flashing. Within 10 seconds, push and hold button until required symbol <i>R</i> displays, release button. Display begins flashing. Within 10 seconds, push and hold button until display stops flashing, release button. Display shows error ( <i>E</i> ) code(s) and ambient ( <i>R</i> ), outdoor coil ( <i>c</i> ) and liquid ( <i>L</i> ) temperatures in Fahrenheit. <b>NOTE</b> - If button is not pushed in the 10-second time period, the control exits the test mode. If this occurs, test mode must be repeated.

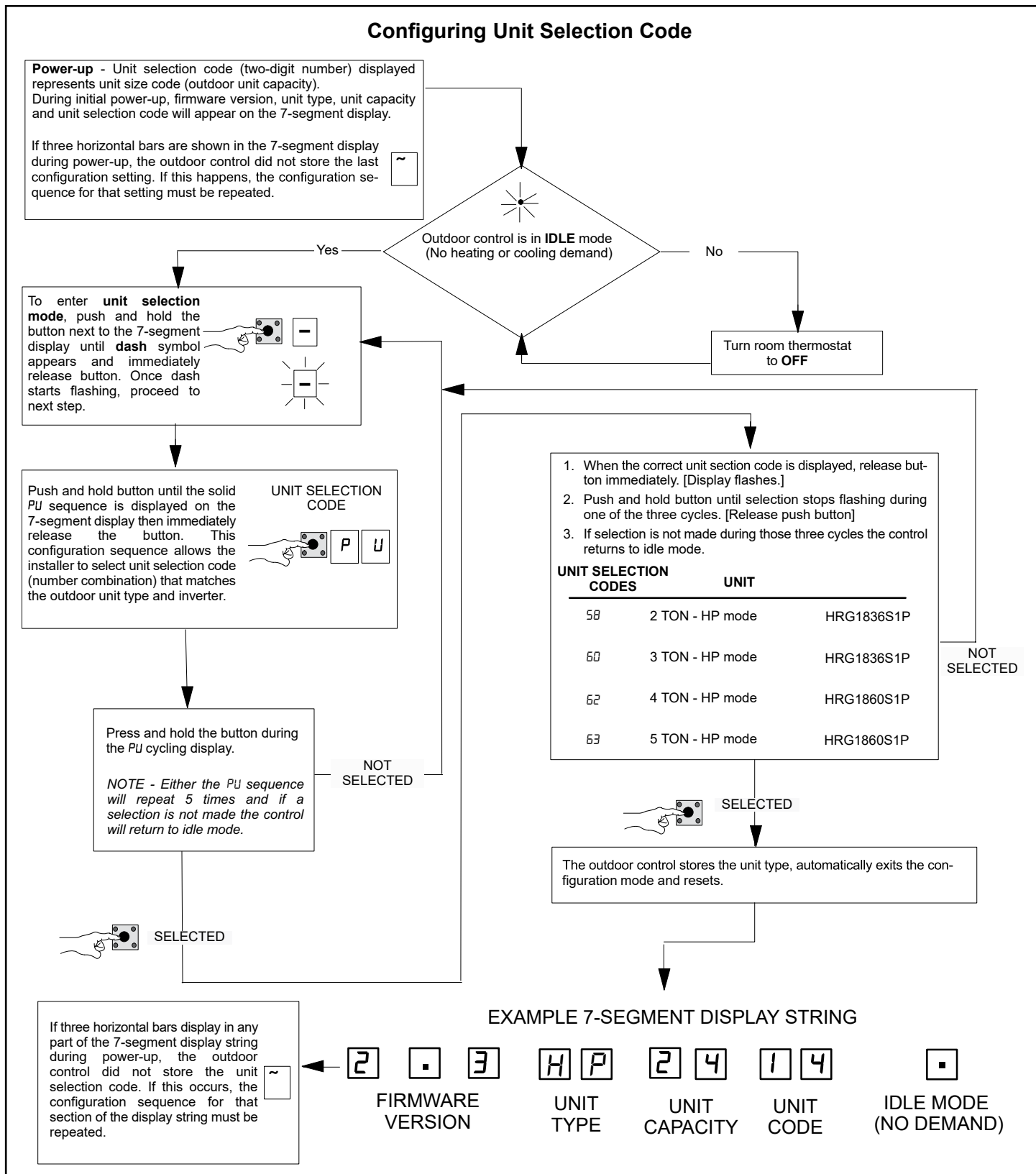
Table 14.

Error Code Recall Mode (NOTE – control must be in idle mode)	
ε	To enter error code recall mode, push and hold button until solid <i>E</i> appears, then release button. Control displays up to 10 error codes stored in memory. If <i>E</i> □ □ □ □ is displayed, there are no stored error codes.
≡	To exit error code recall mode, push and hold button until solid three horizontal bars appear, then release button. Note - Error codes are not cleared.
c	To clear error codes stored in memory, continue to hold button while the 3 horizontal bars are displayed. Release button when solid <i>c</i> is displayed.
c	Push and hold for one (1) second, release button. 7-Segment displays 0 0 0 0 and exits error recall mode.

Table 15.

## Configuring Unit

When installing a replacement outdoor control, the unit selection code may have to be manually assigned using the 7-segment display and push button on the control. The unit code sets unit type, capacity and outdoor fan profile.



**Figure 18. Outdoor Control 7-Segment Unit Status Displays**

## Maintenance

### Regular Maintenance Requirements

Your system should be regularly inspected by a qualified service technician. These regular visits may include (among other things) checks for:

- Motor operation
- Ductwork air leaks
- Coil & drain pan cleanliness (indoor & outdoor)
- Electrical component operation & wiring check
- Proper refrigerant level & refrigerant leaks
- Proper airflow
- Drainage of condensate
- Air filter(s) performance
- Blower wheel alignment, balance & cleaning
- Primary & secondary drain line cleanliness
- Proper defrost operation (heat pumps)

### Air Filter

Inspect air filters at least monthly and replace or clean as required. Disposable filters should be replaced. Washable filters may be cleaned by soaking in mild detergent and rinsing with cold water. Allow filter to dry before reinstalling. Replace filters with the arrows pointing in the direction of airflow. Dirty filters are the most common cause of poor heating / cooling performance and compressor failures.

### Indoor Coil

If the system has been operated with a clean filter in place, it should require minimal cleaning. If cleaning is needed, call your dealer for service.

### Condensate Drain

During cooling season check at least monthly for free flow of drainage and clean if necessary.

### Condenser Coils

Grass cuttings, leaves, dirt, dust, lint from clothes dryers, and foliage from trees can be drawn into coils by movement of the air. Clogged condenser coils will lower the efficiency of your unit and could cause damage to the condenser.

Periodically, debris should be brushed from the condenser coils. Use a soft bristle brush with light pressure only. DO NOT damage or bend condenser coil fins. Damaged or bent fins may affect unit operation.

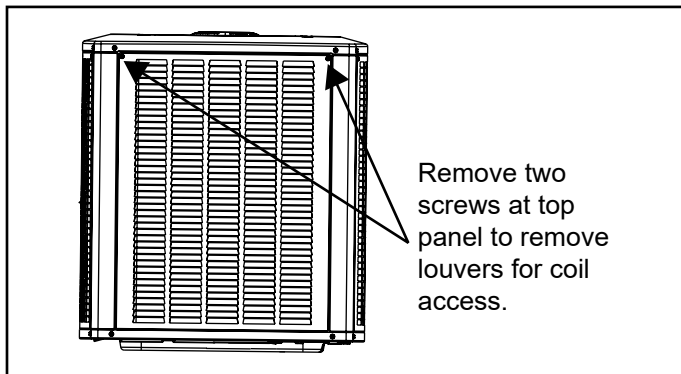


Figure 19. Removing Louvers

### **WARNING**

#### **SHARP OBJECT HAZARD!**

Condenser coils have sharp edges. Wear adequate body protection on body extremities (e.g. gloves).

**FAILURE TO FOLLOW THIS WARNING COULD RESULT IN BODILY INJURY.**

### Painted Surfaces

For maximum protection of the unit's finish, a good grade of automobile wax should be applied every year. In geographical areas where water has a high concentration of minerals (calcium, iron, sulfur, etc.), it is recommended that lawn sprinklers not be allowed to spray the unit. In such applications, the sprinklers should be directed away from the unit. Failure to follow this precaution may result in premature deterioration of the unit finish and metal components.

In sea coast areas, special maintenance is required due to the corrosive atmosphere provided by the high salt concentration in ocean mists and the air. Periodic washing of all exposed surfaces and coil will add life to your unit. Please consult your installing dealer for proper procedures in your geographic area.

## Homeowner Information

### **WARNING**

#### **ELECTRICAL SHOCK HAZARD!**

Turn OFF electric power to unit before performing any maintenance or removing panels or doors.

**FAILURE TO DO SO COULD RESULT IN BODILY INJURY OR DEATH.**

## Heat Pump Operation

Your new heat pump has several characteristics that you should be aware of:

- Heat pumps satisfy heating demand by delivering large amounts of warm air into the living space. This is quite different from gas-or oil-fired furnaces or an electric furnace which deliver lower volumes of considerably hotter air to heat the space.
- Do not be alarmed if you notice frost on the outdoor coil in the winter months. Frost may develop on the outdoor coil during the heating cycle when temperatures are below 45°F. An electronic control activates a defrost cycle lasting 5 to 15 minutes at preset intervals to clear the outdoor coil of the frost.
- During the defrost cycle, you may notice steam rising from the outdoor unit. This is a normal occurrence. The thermostat may engage auxiliary heat during the defrost cycle to satisfy a heating demand; however, the unit will run to normal operation at the conclusion of the defrost cycle.

### ***In case of extended power outage...***

If the outdoor temperature is below 50°F and power to your outdoor unit has been interrupted for one hour or longer, observe the following when restoring power to your heat pump system.

- Set the room thermostat selector to the “Emergency Heat” setting to obtain temporary heat for a minimum of 6 hours. This will allow system refrigerant pressures and temperatures enough time to return to a stabilized condition.
- In Emergency Heat mode, all heating demand is satisfied by auxiliary heat; heat pump operation is locked out. After a 6 hour “warm-up” period, the thermostat can then be switched to the “Heat” setting and normal heat pump operation may resume.

## Thermostat Operation

The wall-mounted thermostat controls your heat pump. The thermostat is available in various configurations from different manufacturers. The information below is typical for most thermostats. Ask your dealer for specific information regarding the model of thermostat installed.

### ***Fan Switch***

In AUTO or INT (intermittent ) mode, the blower operates only when the thermostat calls for heating or cooling. This mode is generally preferred when humidity control is a priority.

The ON or CONT mode provides continuous indoor blower operation, regardless of whether the compressor or auxiliary heat are operating. This mode is required when constant air circulation or filtering is desired.

On models without a fan selection switch, the fan will cycle with the outdoor unit.

## System Switch

Set the system switch for heating, cooling or auto operation. The auto mode allows the heat pump to automatically switch from heating mode to cooling mode to maintain predetermined comfort settings. Many heat pump thermostats are also equipped with an emergency heat mode which locks out heat pump operation and provides temporary heat supplied by the auxiliary heat.

### ***Indicating Light***

Most heat pump thermostats have an amber light which indicates when the heat pump is operating in the emergency heat mode.

### ***Temperature Indicator***

The temperature indicator displays the actual room temperature.

### ***Programmable Thermostats***

Your system may be controlled by a programmable thermostat. These thermostats provide the added feature of programmable time-of-day set points for both heating and cooling. Refer to the user’s information manual provided with your particular thermostat for operation details.

## Important System Information

- Your system should never be operated without a clean air filter properly installed.
- Return air and supply air registers should be free from restrictions or obstructions to allow full flow of air.

### **IF YOUR SYSTEM DOES NOT WORK, BEFORE REQUESTING A SERVICE CALL:**

1. Ensure thermostat is set below (cooling) or above (heating) room temperature and that the system lever is in the “COOL”, “HEAT” or “AUTO” position.
2. Inspect your return air filter: If it is dirty, your heat pump may not function properly.
3. Check indoor and outdoor disconnect switches. Confirm circuit breakers are ON or that fuses have not blown. Reset breakers/replace fuses as necessary.
4. Inspect the outdoor unit for clogged condenser coils, (grass cuttings, leaves, dirt, dust or lint). Ensure that branches, twigs or other debris are not obstructing the condenser fan.

### **IF YOUR SYSTEM STILL DOES NOT OPERATE, CONTACT YOUR SERVICING DEALER.**

Be sure to describe the problem, and have the model and serial numbers of the equipment available.

If warranty replacement parts are required, the warranty must be processed through a qualified distribution location.

Wiring Diagram

- NOTES:
1. NOTE - FOR USE WITH COPPER CONDUCTORS ONLY - REFER TO UNIT RATING PLATE FOR MINIMUM CIRCUIT AMPLICITY AND MAXIMUM OVERCURRENT PROTECTION SIZE.
  2. WARNING - ELECTRIC SHOCK HAZARD CAN CAUSE INJURY OR DEATH. UNIT MUST BE GROUNDED IN ACCORDANCE WITH NATIONAL AND LOCAL CODES.
  3. REFER TO COMPRESSOR IN UNIT FOR ACTUAL TERMINAL ARRANGEMENT.
  4. NOTE - IF ANY WIRE IN THE APPLIANCE IS REPLACED, IT MUST BE REPLACED WITH WIRE OF LIKE SIZE, RATING, INSULATION THICKNESS AND TERMINATION.

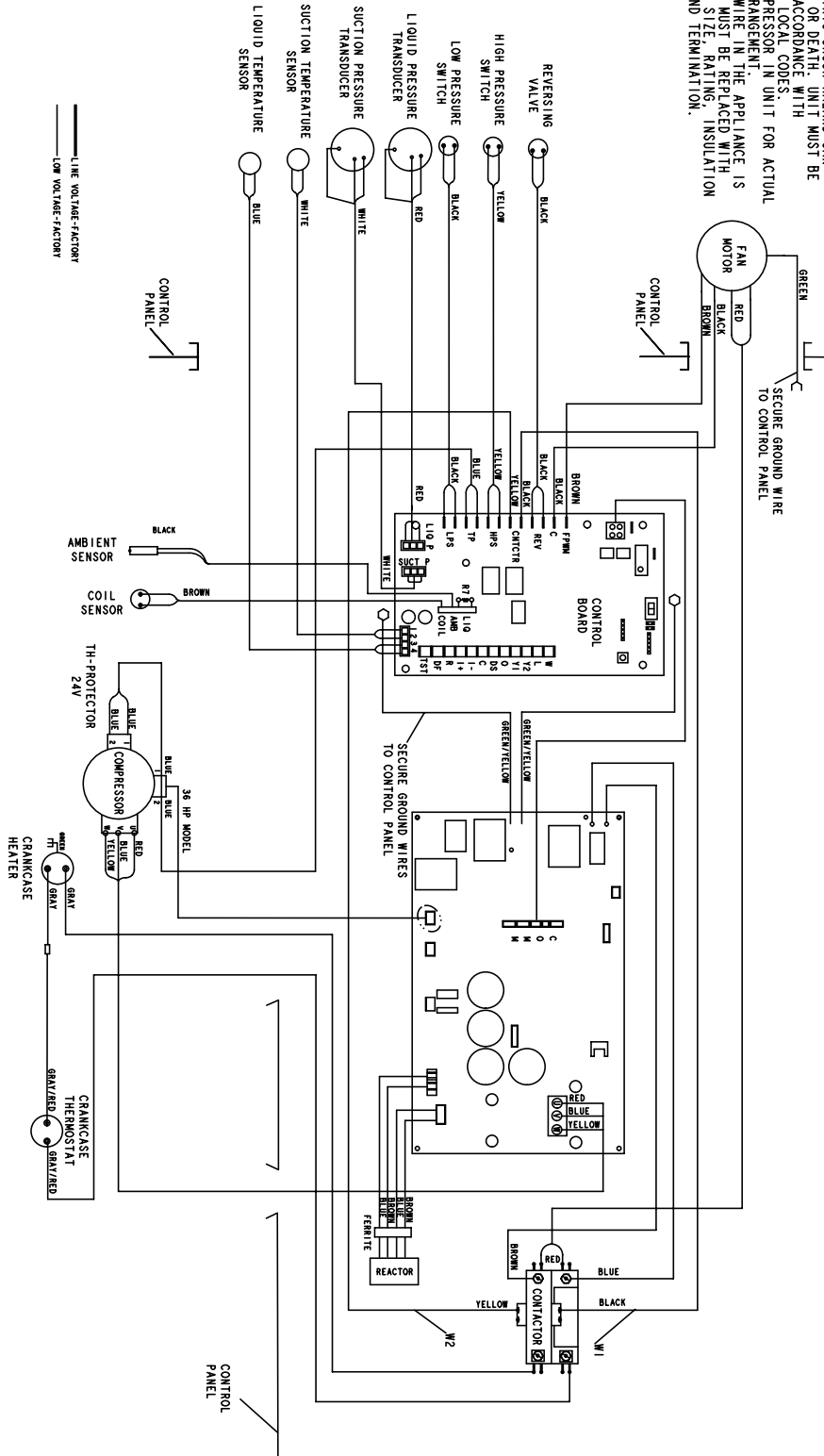
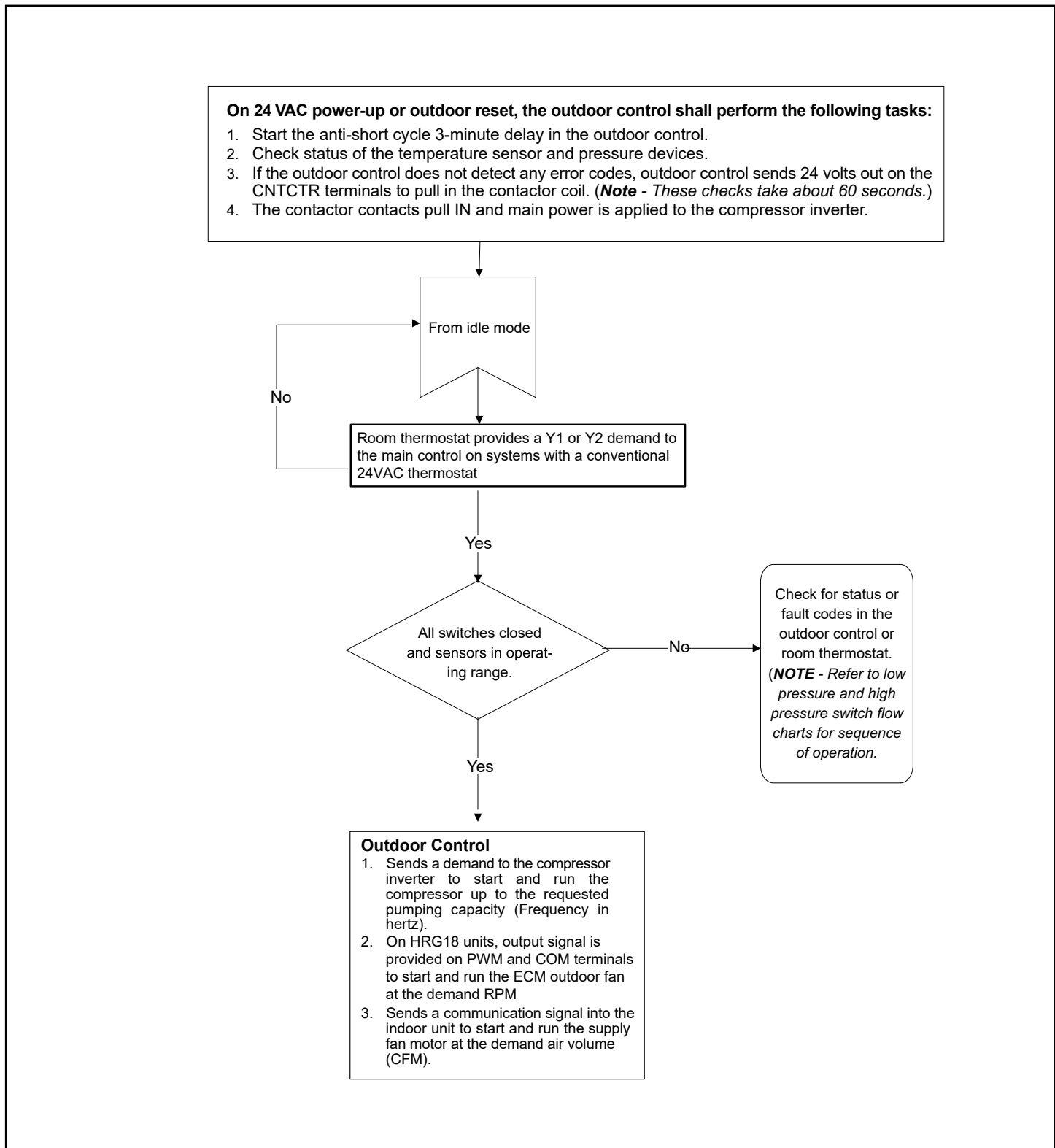


Figure 20. Wiring Diagram



## Unit Sequence of Operation

The following figures illustrate the overall unit sequence of operation along with the operation of various pressure switches and temperature sensors. The figures also illustrate the use of the compressor anti-short-cycle function in relation to unit Status, unit Fault and lockout LED Codes and unit system operation interactions.



**Figure 21. 24 Volt Power-Up or Outdoor Reset**

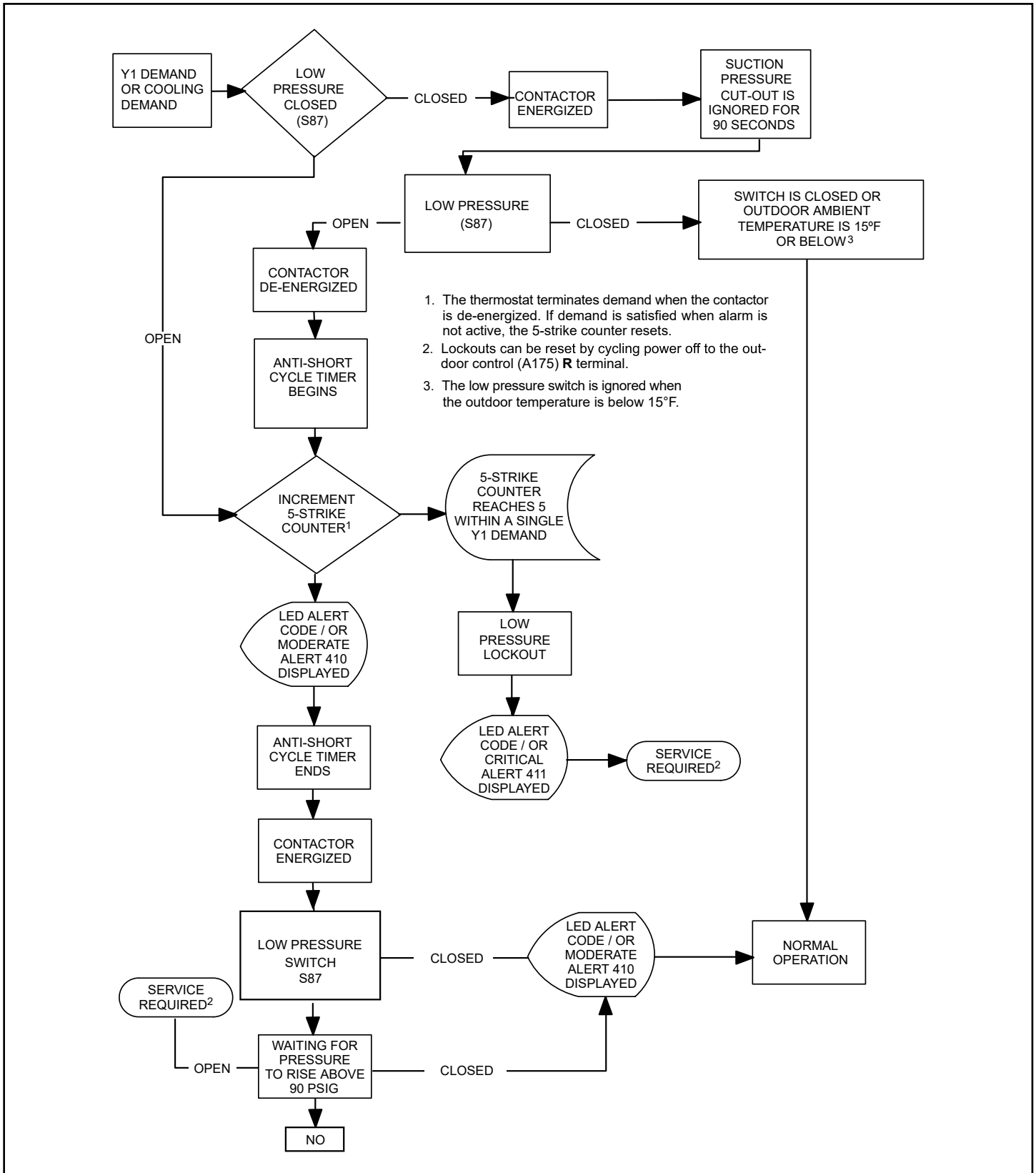


Figure 22. Low Pressure Switch (S87) Sequence of Operation (All Units)

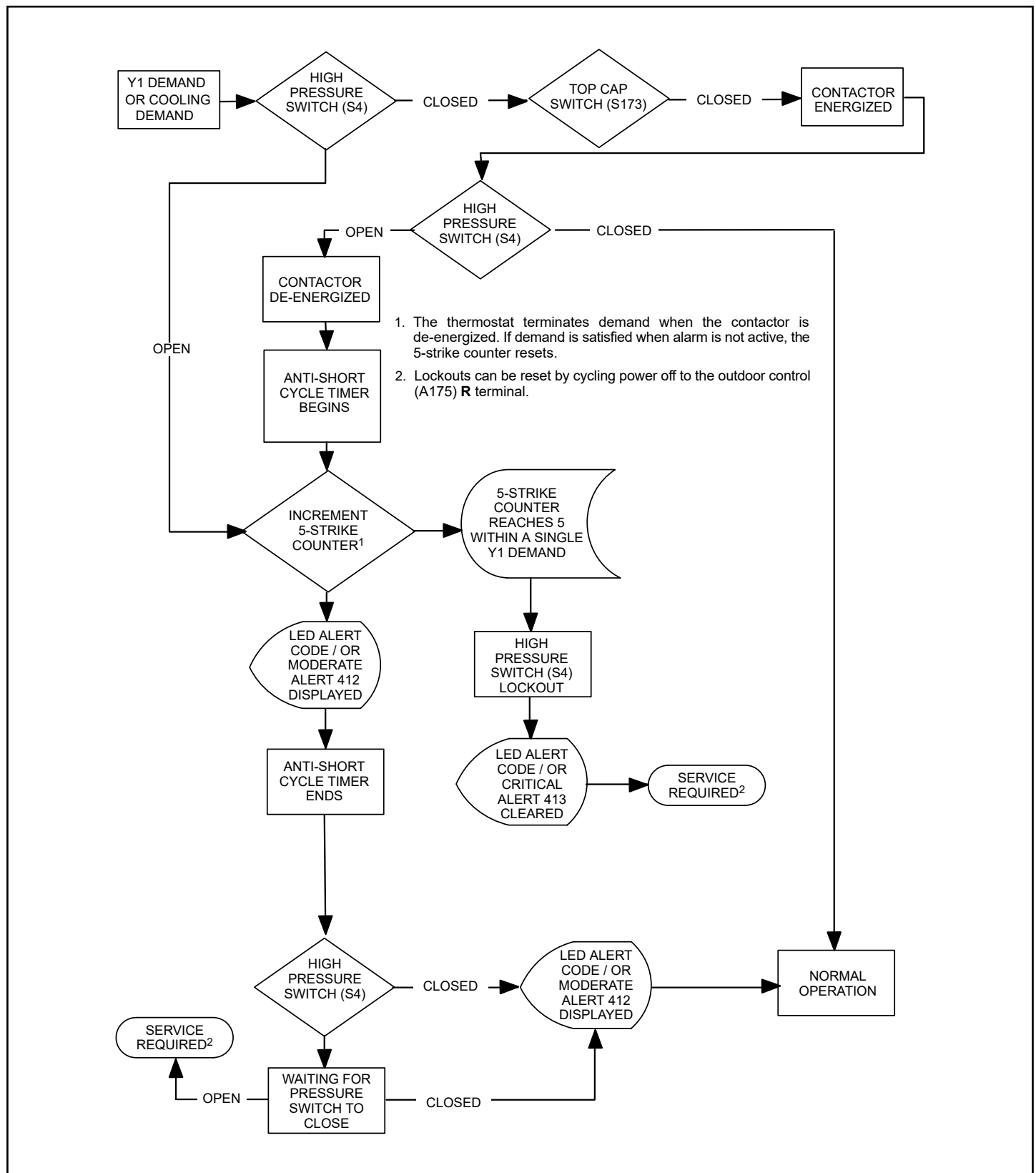


Figure 23. High Pressure Switch (S4) Sequence of Operation (All Versions)

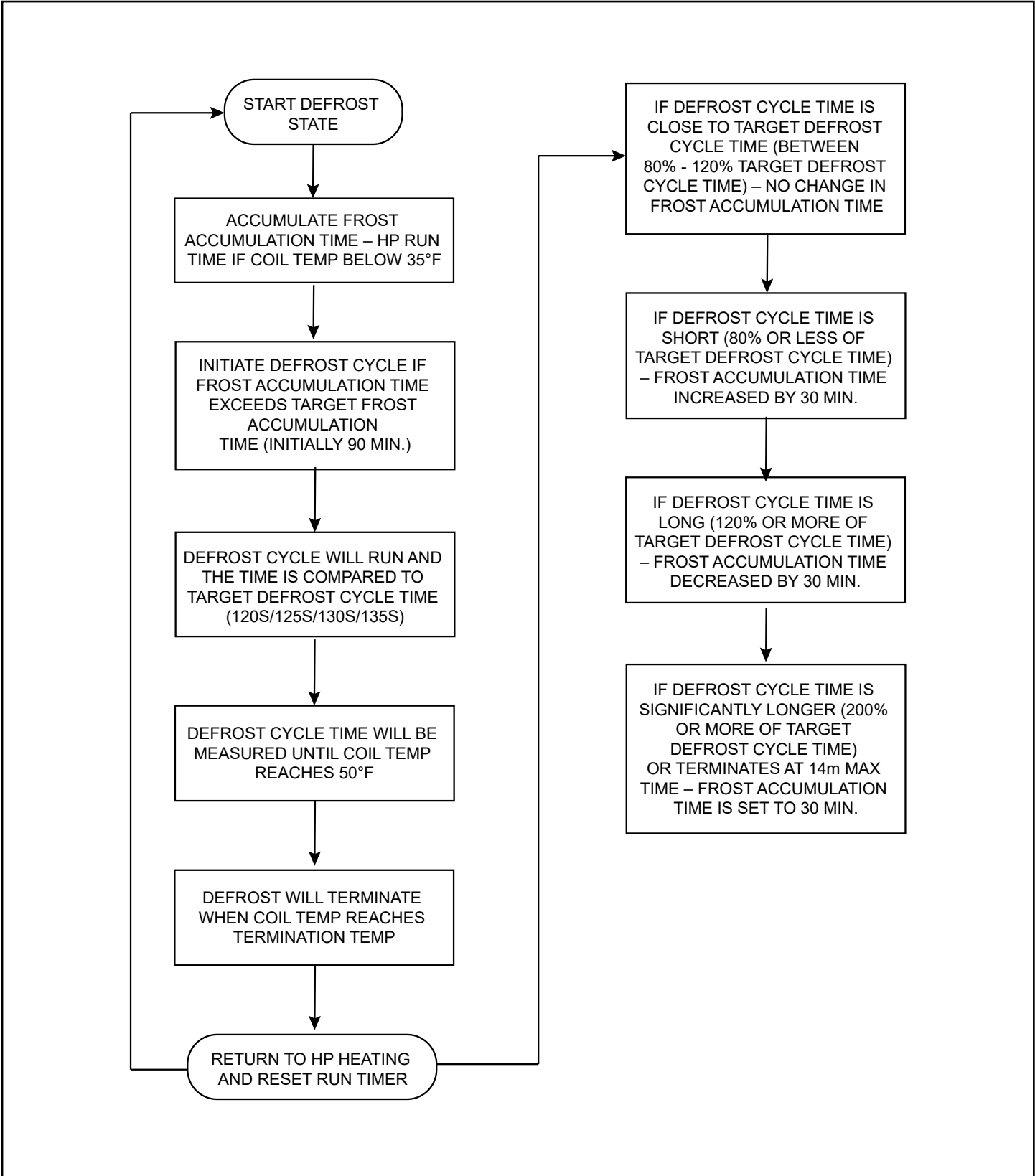


Figure 24. Demand Defrost Cycle – Sequence of Operation

**Component Testing**

**Component Testing Table of Contents**

Verifying High Pressure Switch and Low Pressure Protection Operation.....51	Liquid Line Filter Drier .....62
Verifying Suction Pressure Transducer Operation.....52	Top Cap Switch Operation, Checkout and Status / Error Codes .....63
Verifying Liquid Pressure Transducer Operation.....53	Reactor Operations, Checkout and Status / Error Codes .....64
High Pressure Switch and Low Pressure Protection Errors.....54	Outdoor Fan Operation and Checkout .....64
Compressor Operation, Checkout and Status / Error Codes .....54	Outdoor Control Operation, Checkout and Status / Error Codes .....66
Compressor Equalization Valve.....56	Unit Sensor Operation, Checkout and Status /Error Codes .....69
Crankcase Heater, Checkout and Status / Error Codes .....61	DC Inverter Control Operation, Checkout, Status / Error Codes .....72
Suction Line Filter Drier.....62	

**Verifying High Pressure Switch and Low Pressure Protection Operation**

**OPERATION:**

The unit's pressure switches (HPS - S4 and LPS-S87) are wired into the the control HPS and LPS terminals, respectively.

**NOTE:** *The HRG18 does not have a low pressure switch and LPS terminals are not jumpered. The unit has a suction pressure transducer that emulates the low pressure switch with a cut-out of 40 PSIG and a cut-in of 90 PSIG. This provides the same protection as a tradition low pressure switch. If the event the suction pressure transducer fails, back up protection is provided by the suction temperature sensor and will open at 25F.*

- Low Suction Pressure Switch (LPS) – See Figure 25 for low suction pressure protection sequence of operation.
- High Pressure Switch (HPS) – See Figure 25 for high pressure switch sequence of operation.

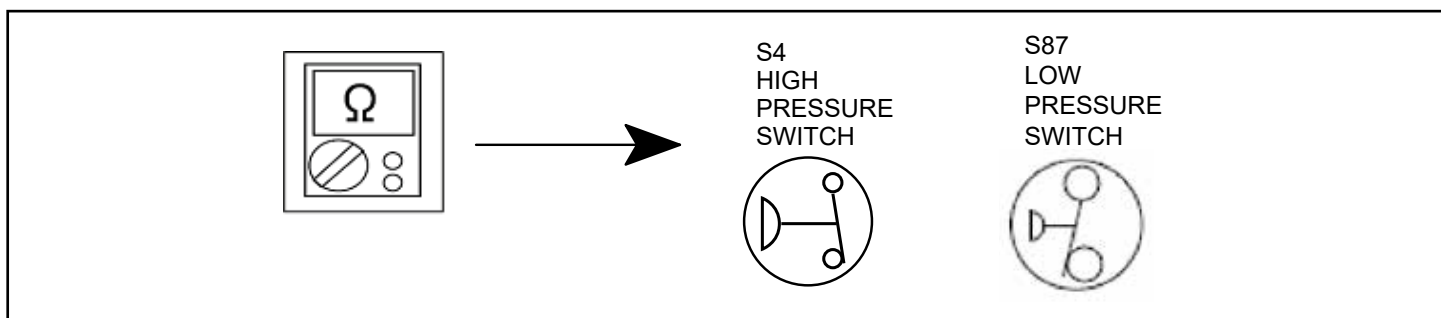
**Pressure Switch Event Settings**

The following pressures are the auto-reset event value triggers for low and high pressure thresholds:

- High Pressure (auto-reset) - trip at 590 psig; reset at 418.
- Low Pressure (auto-reset) – trip at 25 psig; reset at 40.

**Checkout – S4 High Pressure Switch**

Using a multimeter set to ohms with the terminals disconnected from the control board, check the resistance between the two terminals of the pressure switch. If the resistance reading is 0 ohms, the switch is closed.



**Figure 25. Verifying High and Low Pressure Switch Operation**

### Verifying Suction Pressure Transducer Operation

Using a multimeter set to VDC with the Suction Pressure Transducer connected to the “Suct P” 3-pin connector on the control board. Pin 1 (Red wire +5VDC) to Pin 3 (Black wire - GND) should read 5 VDC continuous. Pin 2 (Blue wire output from transducer) to Pin 3 (Black - GND) should read 0.5 to 4.5 VDC and will vary depending on suction pressure measured. See Table 16.

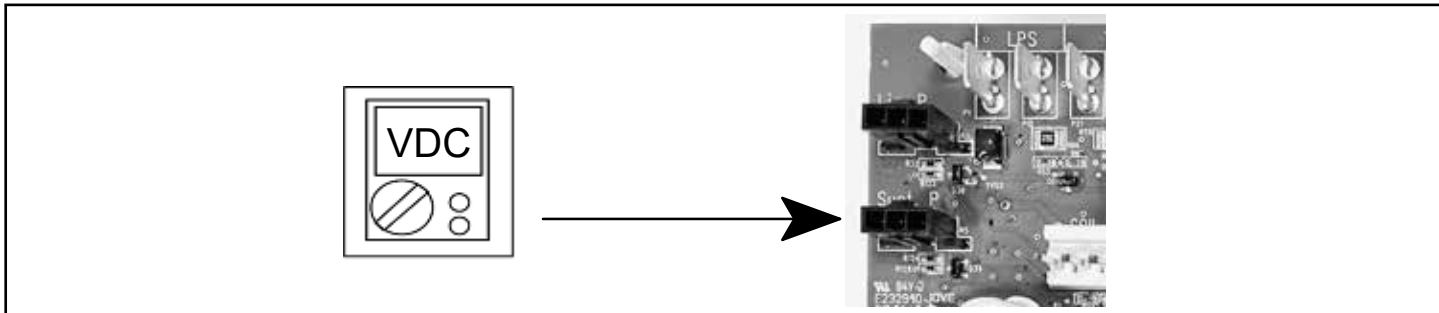


Figure 26. Suction Pressure Transducer Voltage

Suction Pressure (PSIG)	DC Voltage Output (Pin 2 to Pin 3)	Suction Pressure (PSIG)	DC Voltage Output (Pin 2 to Pin 3)
0	0.49	110	2.69
10	0.69	120	2.89
20	0.89	130	3.09
30	1.09	140	3.29
40	1.29	150	3.49
50	1.49	160	3.69
60	1.69	170	3.89
70	1.89	180	4.09
80	2.09	190	4.29
90	2.29	200	4.49
100	2.49	210	4.50

Table 16. Suction Pressure Transducer Output Voltage

### Verifying Liquid Pressure Transducer Operation

Using a multimeter set to VDC with the Liquid Pressure Transducer connected to the “Liq P” 3-pin connector on the control board. Pin 1 (Red wire +5VDC) to Pin 3 (Black wire - GND) should read 5 VDC continuous. Pin 2 (Blue wire output from transducer) to Pin 3 (Black - GND) should read 0.5 to 4.5 VDC and will vary depending on liquid~ pressure measured. See Table 17.

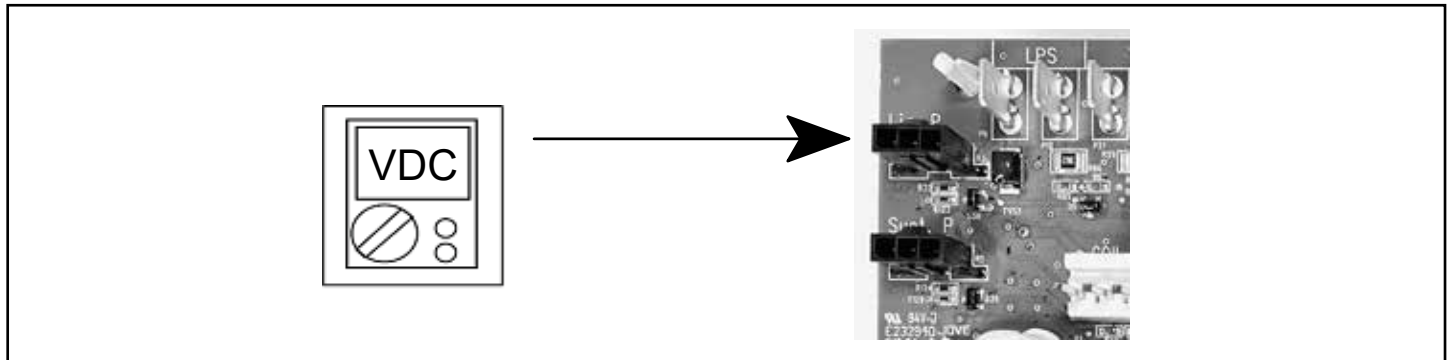


Figure 27. Liquid Pressure Transducer Voltage

Liquid Pressure (PSIG)	DC Voltage Output (Pin 2 to Pin 3)	Liquid Pressure (PSIG)	DC Voltage Output (Pin 2 to Pin 3)
0	0.50	260	2.58
10	0.58	270	2.66
20	0.66	280	2.74
30	0.74	290	2.82
40	0.82	300	2.90
50	0.90	310	2.98
60	0.98	320	3.06
70	1.06	330	3.14
80	1.14	340	3.22
90	1.22	350	3.30
100	1.30	360	3.38
110	1.38	370	3.46
120	1.46	380	3.54
130	1.54	390	3.62
140	1.62	400	3.70
150	1.70	410	3.78
160	1.78	420	3.86
170	1.86	430	3.94
180	1.94	440	4.02
190	2.02	450	4.10
200	2.10	460	4.18
210	2.18	470	4.26
220	2.26	480	4.34
230	2.34	490	4.42
240	2.42	500	4.50
250	2.50		

Table 17. Liquid Pressure Transducer Output Voltage

## High Pressure Switch and Low Pressure Protection Errors

GF= Gas Furnace, AH=Air Handler, ID=Indoor unit (GF or AH), HP=Heat Pump, AC=Air Conditioner, OD=Outdoor Unit (AC or HP), ZA=Zone system and TS=Thermostat					
Alert Code	Inverter Flash Code	Priority Condition	Actual Displayed Alert Text	Component or System Operational State and Troubleshooting Tip	How to Clear Alert Code
410		Information Only-Dealer	OD Open Low Pressure Switch	Unit low pressure is below the required limit. Check operating pressures. Low pressure switch opens at a specific pressure (system shuts down) and closes at a specific pressure (system restarts).	Automatically clears when the system detects that the issue no longer exists.
411		Service Urgent	OD Low Pressure Switch Strikes Lockout	The low pressure switch has opened five times during one cooling or heating demand. Thermostat will shut down the outdoor unit. Open low pressure switch error count reached five strikes. Check system charge using both approach and sub-cooling methods. Reset by putting outdoor unit control in test mode or resetting low voltage power.	Automatically clears when the system detects that the issue no longer exists.
412		Information Only-Dealer	OD Open High Pressure Switch	The unit high pressure is above the upper limit. System will shut down. Confirm that the system is properly charged with refrigerant. Check condenser fan motor, expansion valve (if installed), indoor unit blower motor, stuck reversing valve or clogged refrigerant filter. Confirm that the outdoor unit is clean.	Automatically clears after the high pressure switch closes or a power reset.
413		Service Urgent	OD High Pressure Switch Strikes Lockout	The high pressure switch has opened five times during one cooling demand. Thermostat will shut down the outdoor unit. Open high pressure switch error count reached five strikes. Check system charge using superheat and sub-cooling temperatures. Check outdoor fan operation. Check for dirt or debris blocking air flow to outdoor unit. Reset by putting outdoor unit control in test mode or resetting low voltage power.	Automatically clears when the system detects that the issue no longer exists.

**Table 18. Alert Codes and Troubleshooting**

## Compressor Operation, Checkout and Status / Error Codes

### OPERATION:

The HRG18 uses two different types of compressor, depending on the specific model. The HRG1836S1P uses a 380VAC three phase variable capacity rotary compressor specifically designed for unitary splits system and is approved for use with HFC 410A refrigerant. The HRG1860S1P units use a 380VAC three phase variable capacity scroll compressor that is approved for use with HFC 410A refrigerant. The compressor, when connected to an inverter, is capable of operating in a running frequency range from 20 hertz up to a maximum of 78 hertz. (maximum hertz is dependent on compressor size and operating mode). The compressor speed is determined by thermostat demand and suction pressure when installed with a conventional 24VAC non-communicating thermostat.

### CHECKOUT:

**NOTE:** *The compressor motor winding resistance is the nominal resistance at 77F. When measuring compressor motor winding resistance, the primary concern is the winding resistance between the different sets of terminals is within 10% of each other. The actual winding resistance is impacted by temperature, refrigerant and oil. Do not automatically condemn a compressor because the measured resistance is slightly higher or lower than the nominal resistance. Check for shorted/open windings and for shorts to ground during testing.*



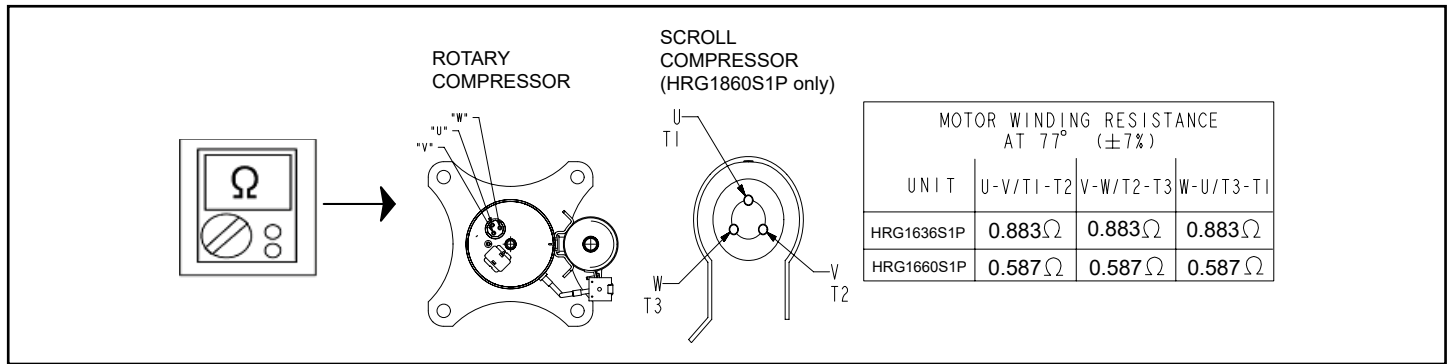


Figure 28.

**IMPORTANT:** If compressor replacement is required, remove the compressor through the top of the unit. Removal through the access panel is not possible.

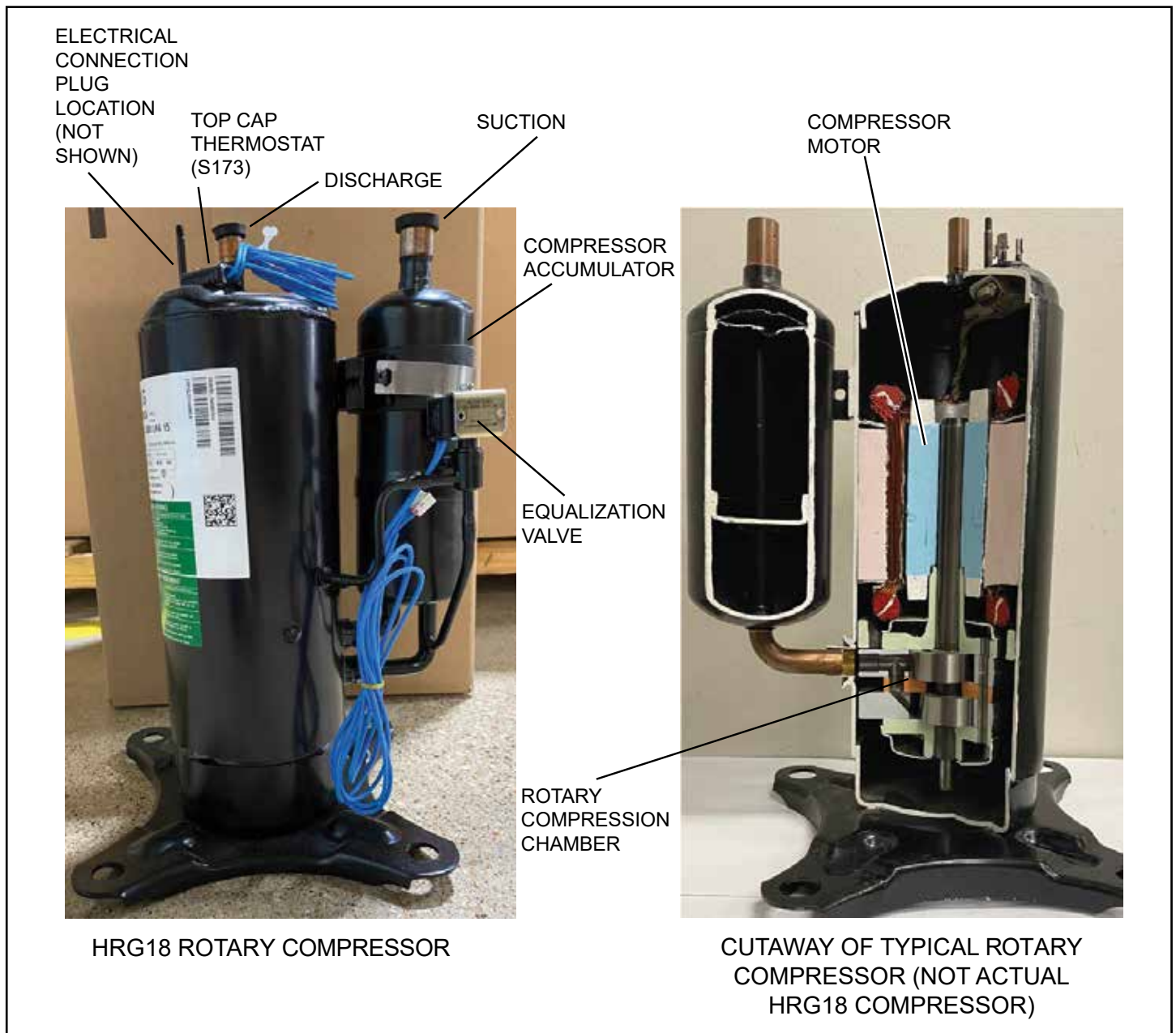


Figure 29. HRG18 Rotary Compressor Detail (Models HRG1836S1P)

# Compressor Equalization Valve

The compressor equalization valve equalization solenoid equalizes the pressure across the rotary compression chamber allowing the compressor to start unloaded. The 240 VAC solenoid coil is controlled by the inverter. The solenoid coil is powered when the compressor is off to equalize the pressure and is de-energized when the compressor is operating.

### STATUS CODES:

When the compressor is running, the 7-segment display will show the compressor capacity. When the HRG18 unit is installed with a conventional 24VAC non-communicating thermostat the display will show C 1 or C 2.

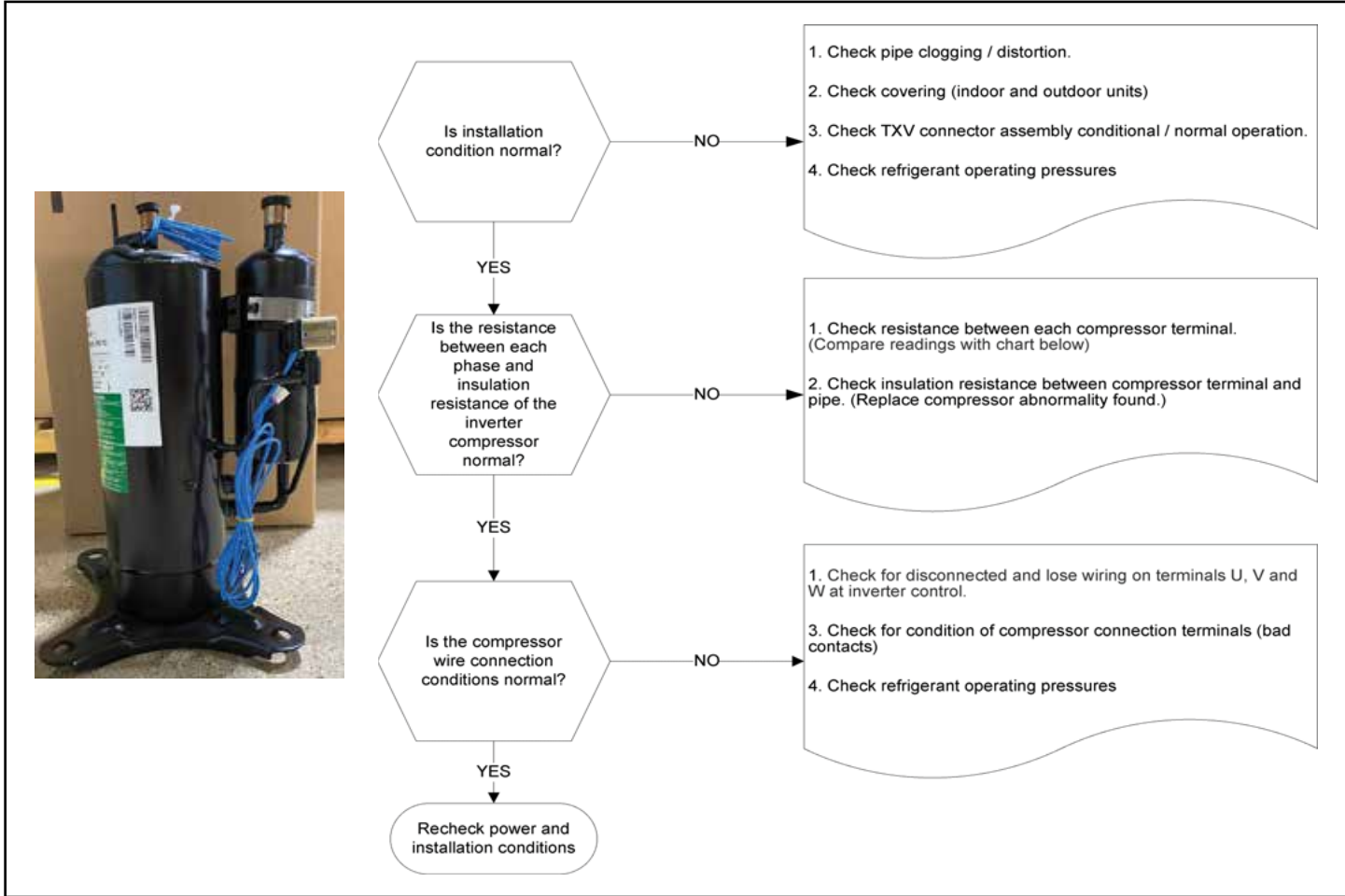


Figure 30.

GF= Gas Furnace, AH=Air Handler, ID=Indoor unit (GF or AH), HP=Heat Pump, AC=Air Conditioner, OD=Outdoor Unit (AC or HP), ZA=Zone system and TS=Thermostat							
Alert Code	Inverter Code	Inverter Flash Code		Priority Condition	Actual Displayed Alert Text	Component or System Operational State and Troubleshooting Tip	How to Clear Alert Code
		Red LED	Green LED				
430	26	2 flashes	6 flashes	Service Soon/ Service Urgent	OD Inverter Compressor Startup Fail	<p>Compressor start-up failure.</p> <ul style="list-style-type: none"> <li>If condition is detected, outdoor unit will stop (compressor and fan) – moderate condition.</li> <li>Anti-short cycle is initiated.</li> <li>If condition occurs 10 times within 60 consecutive minutes, the system will lockout – critical condition.</li> <li>Inverter LEDs will flash code 26.</li> <li>Refer to the unit service documentation for detailed troubleshooting procedures.</li> </ul> <p><b>Inverter flash code 26.</b></p> <p>The sequence is:</p> <ul style="list-style-type: none"> <li>Red LED: Two Flashes</li> <li>Green LED: Six Flashes</li> </ul> <p><b>NOTE:</b> Inverter normal operations with no error code present is as follows. Red LED is ON and Green LED is OFF.</p> <ul style="list-style-type: none"> <li>Check refrigerant</li> <li>Replace outdoor control board</li> <li>Replace inverter.</li> </ul>	To clear, disconnect power to outdoor unit and restart.
433	29	2 flashes	9 flashes	Service Soon/ Service Urgent	OD Inverter Compressor Over-current	<p>Compressor phase current is too high.</p> <ul style="list-style-type: none"> <li>During initial startup, a six minute time delay is implement to prevent the alarm from occurring.</li> <li>Error occurs when compressor peak phase current is greater than 28 amps.</li> <li>Inverter will issue inverter code 14 first and slow down to try to reduce the current.</li> <li>If the current remains high, outdoor unit will stop (compressor and fan) – moderate condition.</li> <li>Cycle timer is initiated.</li> <li>If condition occurs five times within 60 consecutive minutes, the system will lockout – critical condition.</li> <li>This alert code may be triggered by the inverter or the Comfort-Aire or Century variable capacity outdoor (inverter controlled) unit.</li> <li>Comfort-Aire or Century outdoor control may trigger an this alert code if the inverter reduces the compressor speed which is identified as a alert code 441 and the compressor speed (in hz) is below the minimum speed. This will typically occur at start-up. The inverter automatically increases the compressor minimum speed below 45°F in the heating mode and above 115°F ensure the compressor capacity is sufficient for oil return. If alert code 433 occurs and inverter does not indicate an inverter code 29, the Comfort-Aire or Century communicating Comfort-Aire or Century outdoor control triggered the alert code 433.</li> <li>Inverter LEDs will flash code 29.</li> <li>Refer to the unit service documentation for detailed troubleshooting procedures.</li> </ul> <p><b>Inverter flash code 29.</b></p> <p>The sequence is:</p> <ul style="list-style-type: none"> <li>Red LED: Two Flashes</li> <li>Green LED: Nine Flashes</li> </ul> <p><b>NOTE:</b> Inverter normal operations with no error code present is as follows. Red LED is ON and Green LED is OFF.</p>	To clear alert code disconnect power to both the indoor and outdoor units and then reconnect power. Restart system.

Table 19. Outdoor Control 7-Segment Display Alert Codes - Compressor

GF= Gas Furnace, AH=Air Handler, ID=Indoor unit (GF or AH), HP=Heat Pump, AC=Air Conditioner, OD=Outdoor Unit (AC or HP), ZA=Zone system and TS=Thermostat

Alert Code	Inverter Code	Inverter Flash Code		Priority Condition	Actual Displayed Alert Text	Component or System Operational State and Troubleshooting Tip	How to Clear Alert Code
		Red LED	Green LED				
440	13	1 flash	3 flashes	Information Only-Dealer	OD Inverter Compressor Slowdown - High Heat-Sink temperature	<p>Compressor slowdown due to high heat sink temperature.</p> <ul style="list-style-type: none"> <li>Heat sink temperature is approaching limit.</li> <li>The compressor speed automatically slows to reduce heat sink temperature.</li> <li>The control sets indoor CFM and outdoor RPM to values according to demand percentage rather than the actual Hz.</li> <li>The screws that hold the inverter to the inverter board may be loose causing poor contact between these two components.</li> <li>Tighten screws that hold the heat sink to the inverter control board.</li> </ul> <p><b>NOTE:</b> Wait five minutes for all capacitors to discharge before checking screws.</p> <ul style="list-style-type: none"> <li>This error code is primarily for informational purposes as the inverter controls the compressor speed to operate within design parameters. Typically the inverter will make a minor speed reduction of 4 Hz (approximately a 5-6% speed reduction) for a brief period of time and to reduce the heat sink temperature and will then resume normal operation. This may occur at high outdoor temperatures (above 110°F) for brief periods of time (3 – 4 minutes) and is normal and expected operation of the inverter controlling the compressor safely within design parameters.</li> <li>The inverter finned aluminum heat sink is located on the back side of the inverter in the condenser air stream. If the alert code 440 occur frequently, especially at lower outdoor temperatures, check the heat sink for debris that may reduce heat transfer or possible obstructions that may impact air flow across the heat sink.</li> <li>The inverter will begin to briefly reduce the compressor speed when the heat sink temperature rises above 185°F and will allow the inverter to resume the requested compressor demand speed once the inverter heat sink reaches 176°F. The heat sink temperature, compressor speed in Hertz &amp; the Inverter Compressor Speed Reduction status (“On” or “Off”) notification can be viewed under the outdoor unit Diagnostics section of the thermostat dealer control center.</li> <li>Inverter LEDs will flash code 13.</li> <li>Refer to the unit service documentation for detailed troubleshooting procedures.</li> </ul> <p><b>Inverter flash code 13.</b></p> <p>The sequence is:</p> <ul style="list-style-type: none"> <li>Red LED: One Flash</li> <li>Green LED: Three Flashes</li> </ul> <p><b>NOTE:</b> Inverter normal operations with no error code present is as follows. Red LED is ON and green LED is OFF.</p>	Automatically clears when the condition no longer exists.

Table 19. Outdoor Control 7-Segment Display Alert Codes - Compressor

GF= Gas Furnace, AH=Air Handler, ID=Indoor unit (GF or AH), HP=Heat Pump, AC=Air Conditioner, OD=Outdoor Unit (AC or HP), ZA=Zone system and TS=Thermostat

Alert Code	Inverter Code	Inverter Flash Code		Priority Condition	Actual Displayed Alert Text	Component or System Operational State and Troubleshooting Tip	How to Clear Alert Code
		Red LED	Green LED				
441	14	1 flash	4 flashes	Information Only-Dealer	OD Inverter Compressor Slowdown - High Compressor Current	<p>This alert code is for more information than an issue with the system.</p> <ul style="list-style-type: none"> <li>When the inverter gets close to the current or heat sink temperature limit, it will limit the ramp rate. Instead of changing compressor speed at 1 hz/second, it changes to 5 hz/20 seconds.</li> <li>Compressor slowdown due to high compressor current.</li> <li>Compressor current is approaching limit.</li> <li>The compressor speed automatically slows.</li> <li>This error code is primarily for informational purposes as the inverter controls the compressor to operate within design parameters. Alert code 441 typically occurs at startup as the compressor current increases rapidly during startup.</li> <li>The inverter will reduce the compressor speed by 4 Hz and slow the compressor ramp up speed to the requested compressor demand speed (capacity). This is normal and expected operation of the inverter to control the inverter within design parameters. In most cases the alert code 441 notification does not require any additional service or diagnostic procedures.</li> <li>The control sets indoor CFM and outdoor RPM to values according to demand percentage rather than the actual Hz.</li> <li>Possible issue is system running at high pressures.</li> <li>Check for high pressure trips or other alert codes in thermostat and outdoor control.</li> <li>Inverter LEDs will flash code 14.</li> <li>Refer to the unit service documentation for detailed troubleshooting procedures.</li> </ul> <p><b>Inverter flash code 14.</b></p> <p>The sequence is:</p> <ul style="list-style-type: none"> <li>Red LED: One Flash</li> <li>Green LED: Four Flashes</li> </ul> <p><b>NOTE:</b> Inverter normal operations with no error code present is as follows. Red LED is ON and green LED is OFF.</p>	Automatically clears when the condition no longer exists.
600				Information Only-Dealer	Load Shed Event	<p>Compressor has been cycled OFF on utility load shedding.</p> <ul style="list-style-type: none"> <li>Load shedding function provides a method for a local utility company to limit the maximum power level usage of the outdoor unit.</li> <li>The feature is activated by applying 24VAC power across the L and C terminals on the outdoor control</li> </ul>	Automatically clears when L terminal is inactive.

Table 19. Outdoor Control 7-Segment Display Alert Codes - Compressor

## Crankcase Heater, Checkout and Status / Error Codes

### OPERATION:

#### **Crankcase Heater (HR1)**

Compressors in all units are equipped with a 40 watt belly-band type crankcase heater. The heater prevents liquid from accumulating in the compressor. The heater is controlled by the crankcase heater thermostat.

#### **Crankcase Heater Thermostat (S40)**

Crankcase heater thermostat S40 controls the crankcase heater in all units and is located on the liquid line (see Figure 2 and Figure 3 for locations).

1. When liquid line temperature drops below 50°F the thermostat closes which results in the heater being energized.
2. When liquid line temperature rises above 70°F the thermostat opens which results in the heater being de-energized.

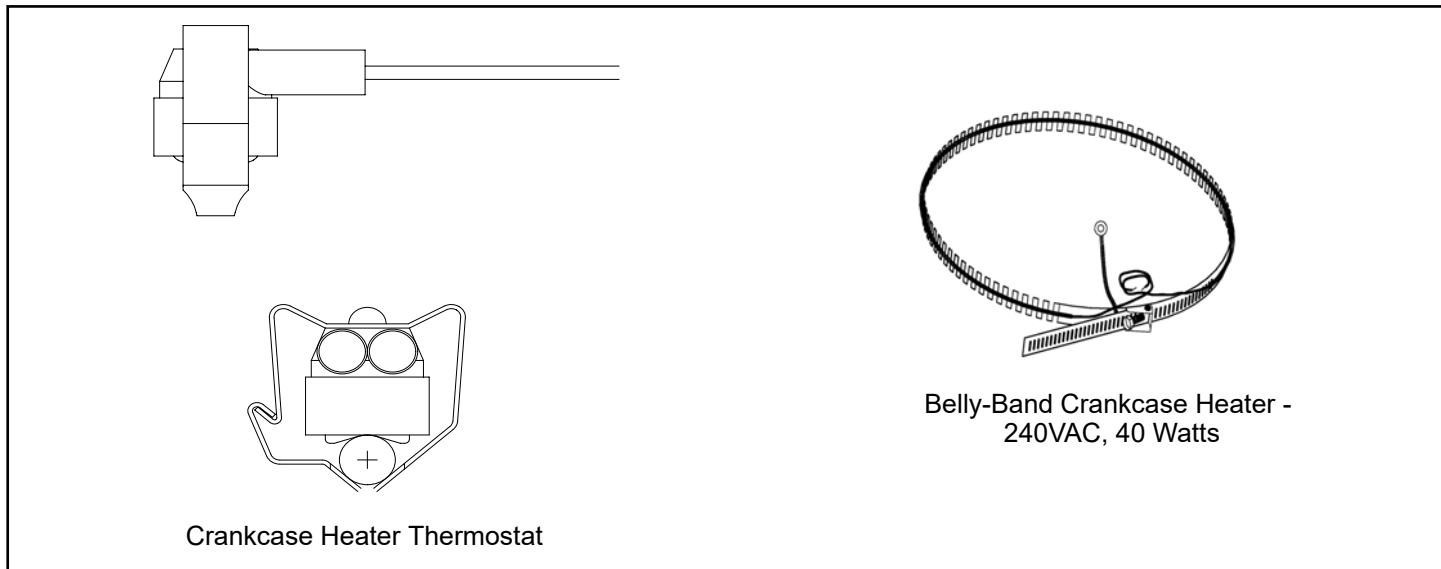


Figure 31. Belly-Band Crankcase Heater Thermostat

### CHECKOUT:

**Belly-Band Crankcase Heater:** Using meter set on ohms, check crankcase heater resistance. If resistance is 0 ohms or infinite, replace the crankcase heater.

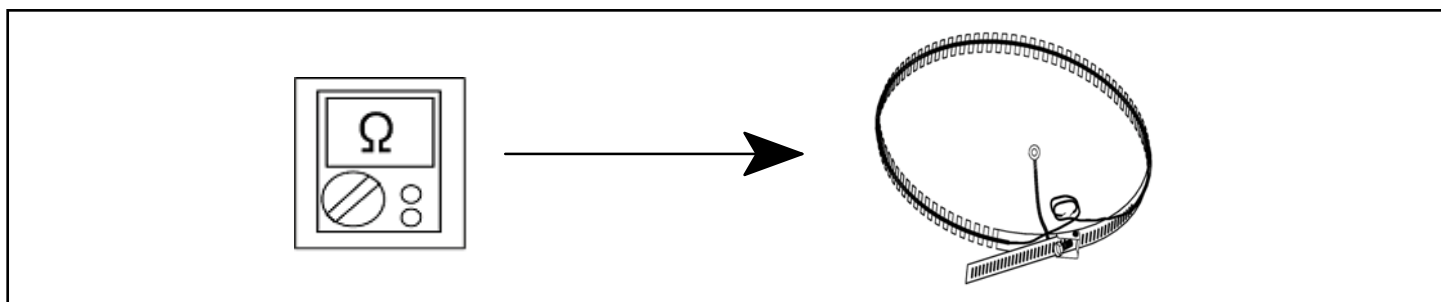


Figure 32. Checking Belly-Band Crankcase Heater

**Crankcase Heater Thermostat:** As the detected temperature changes, the resistance across the sensor changes. Table 22 shows how the resistance varies as the temperature changes for this sensor.

**NOTE:** When checking the ohms across a sensor, be aware that a sensor showing a resistance value that is not within the range shown in Table 22, may be performing as designed. However, if a shorted or open circuit is detected, the sensor is faulty; the sensor needs to be replaced.

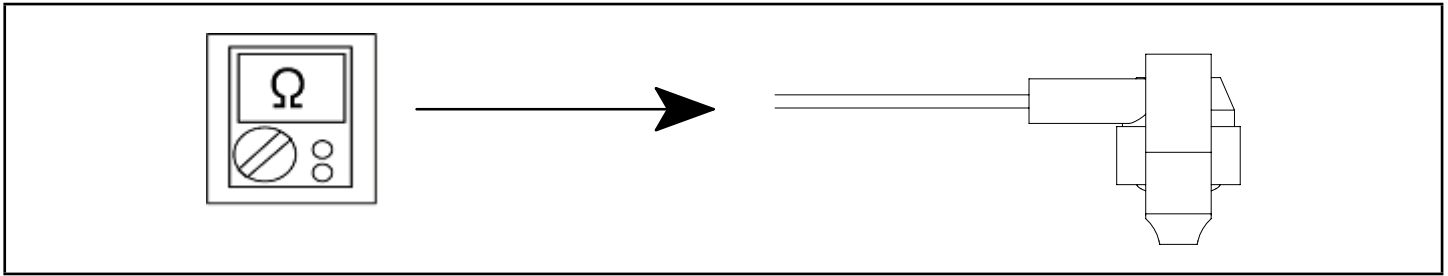


Figure 33. Checking Crankcase Heater Thermostat

**STATUS CODE:**

None

**ERROR CODES:**

None

**Compressor Sound Cover**

All units come with a soft-sided polyethylene molded outer shell compressor sound cover. The cover helps reduce any unwanted operating sounds from the compressor. The cover features a hook/loop closure system for ease of installation on the compressor.

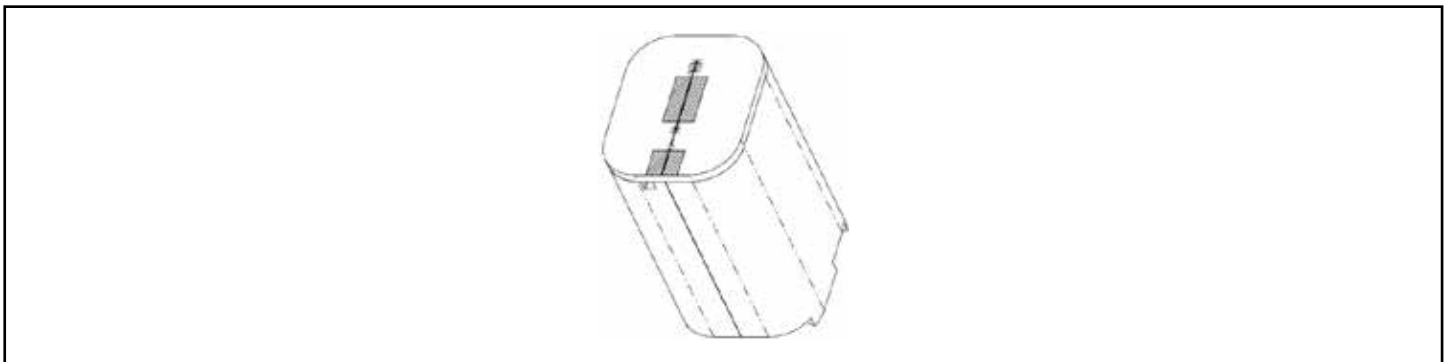


Figure 34. Compressor Sound Cover

**Suction Line Filter Drier**

**(Rotary Compressor Models Only)**

The HRG1836S1P units have a rotary compressor and have a factory installed suction line filter drier installed in the suction line. Liquid drier is not required, but may be field installed. The filter drier is designed to remove moisture and foreign matter, which can lead to compressor failure.

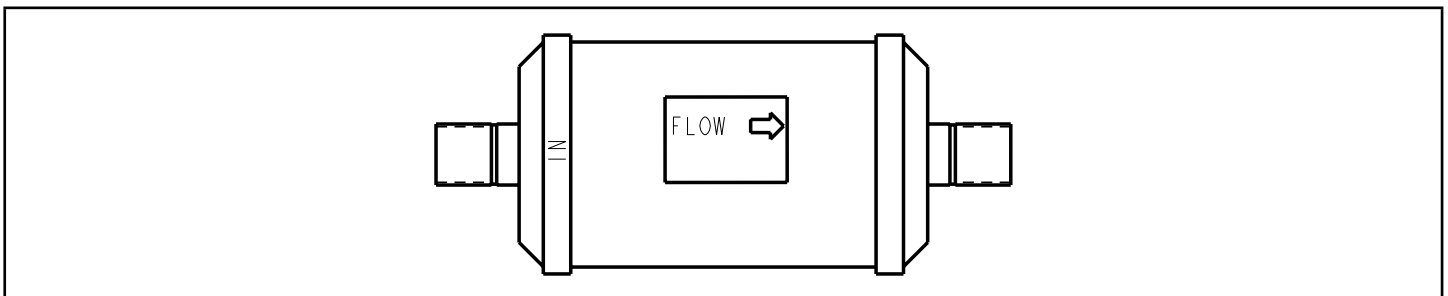


Figure 35. Suction Line Filter Drier

**Liquid Line Filter Drier**

**(HRG1860S1P Scroll Compressor Models Only)**

The HRG1660S1P has a scroll compressor and a liquid line filter drier that is shipped loose along with the unit. The filter drier is designed to remove moisture and foreign matter, which can lead to compressor failure.

The HRG18 models with a rotary compressor do not have a factory installed liquid filter drier and it is not required on these models. A liquid line filter drier on the rotary compressor models may be field installed if desired.

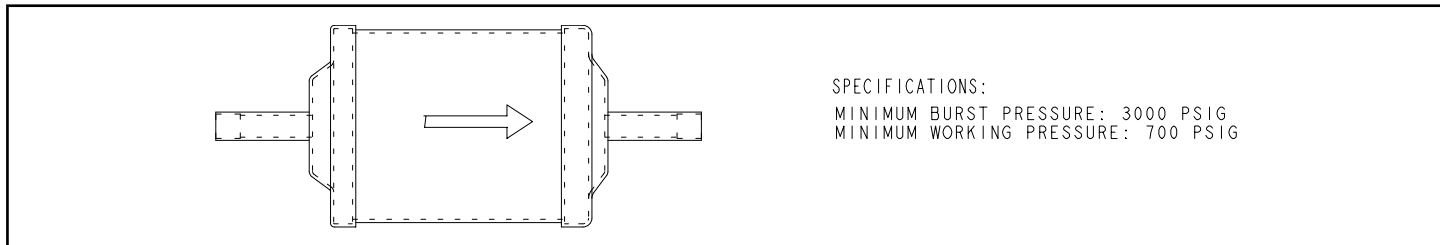


FIGURE 36. Liquid Line Filter Drier

### Top Cap Switch Operation, Checkout and Status / Error Codes

#### OPERATION:

#### Top Cap Thermal Sensor Switch (S173)

Some units are equipped with a compressor-mounted normally closed temperature switch that prevents compressor damage due to overheating caused by internal friction. The switch is located on top of the compressor casing. This switch senses the compressor casing temperature and opens at 239-257°F to shut off compressor operation. The auto-reset switch closes when the compressor casing temperature falls to 151-187°F, and the compressor is re-energized. This is a single-pole, single-throw (SPST) bi-metallic switch.

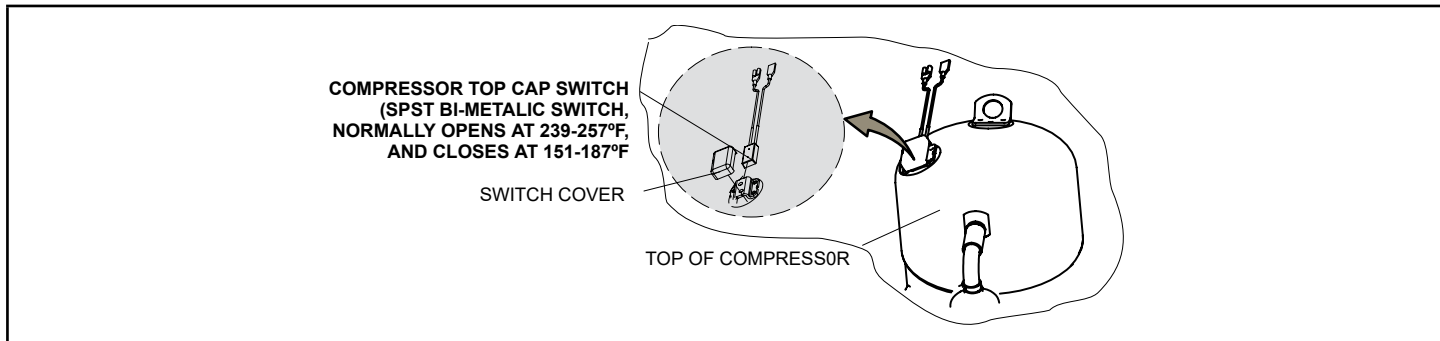


FIGURE 37. Top Cap Thermal Sensor Switch

#### CHECKOUT:

Using a multimeter set to ohms, with the terminals disconnected from the system, check the resistance between the two terminals of the top cap switch. If the meter display does not change, the switch is open. If the meter display goes to infinite, the switch is closed.

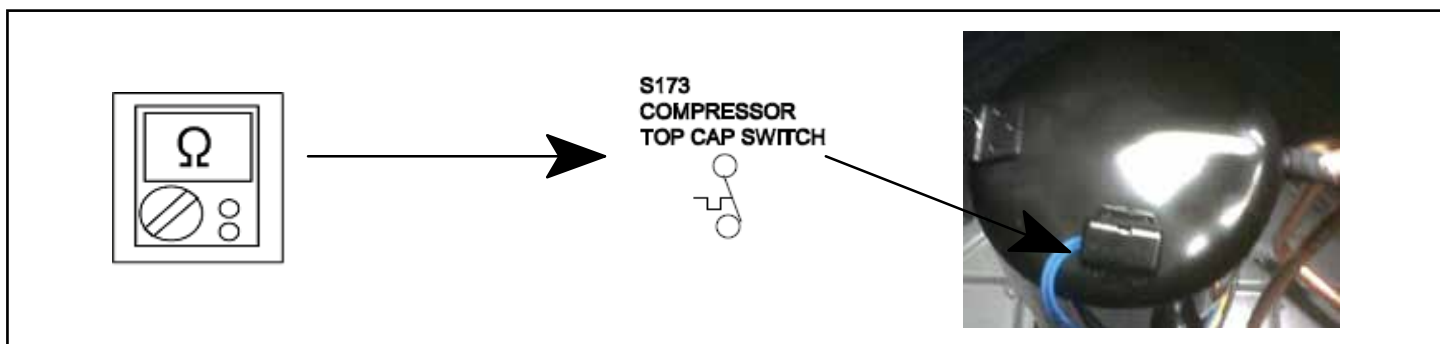


FIGURE 38. Verifying Top Cap Thermal Sensor Switch

#### STATUS:

None



NOTE - System fault and lockout codes take precedence over system status codes (cooling, heating operating percentages or defrost/dehumidification). Only the latest active fault or lockout codes are displayed (if present). If no fault or lockout codes are active, then system status codes are displayed. Alert codes are also displayed on the communicating thermostat.

GF= Gas Furnace, AH=Air Handler, ID=Indoor unit (GF or AH), HP=Heat Pump, AC=Air Conditioner, OD=Outdoor Unit (AC or HP), ZA=Zone system and TS=Thermostat

Alert Code	Inverter Flash Code	Priority Condition	Actual Displayed Alert Text	Component or System Operational State and Troubleshooting Tip	How to Clear Alert Code
422		Service Soon	OD Compressor Top Cap Switch Open	Compressor top cap switch exceeding thermal limit. <ul style="list-style-type: none"> <li>• Check condenser fan motor, TXV and indoor unit blower motor.</li> <li>• Check for stuck reversing valve or clogged refrigerant filter.</li> <li>• Check to ensure that one of the wires from the top cap switch has not been disconnected from one of the <b>TP</b> terminals on the outdoor control. Reconnect wire if disconnected.</li> <li>• Check superheat and sub-cooling.</li> </ul>	Automatically clears when error is corrected.
442		Service Urgent	OD Compressor Top Cap Switch Strikes Lockout	The top cap switch has opened five times within one hour. As a result, the outdoor unit is locked out. <ul style="list-style-type: none"> <li>• This condition occurs when compressor thermal protection sensor opens five times within one hour.</li> <li>• Outdoor unit will stop.</li> </ul>	To clear, disconnect power to outdoor unit and restart.

Table 20. Outdoor Control 7-Segment Display Alert Codes - Top Cap Switch

## Reactor Operations, Checkout and Status / Error Codes

### OPERATION:

Reactor (Inductor or choke) is a passive two-terminal electrical component that stores energy in its magnetic field. Reactors are one of the basic components used in electronics where current and voltage change with time, due to the ability of inductors to delay and reshape alternating currents.

### CHECKOUT:

Main Power ON – Voltage IN reactor should be the same as the voltage OUT. With main power OFF and reactor disconnected from system; resistance between leads should be the same

### STATUS CODES:

None

### ERROR CODES:

None

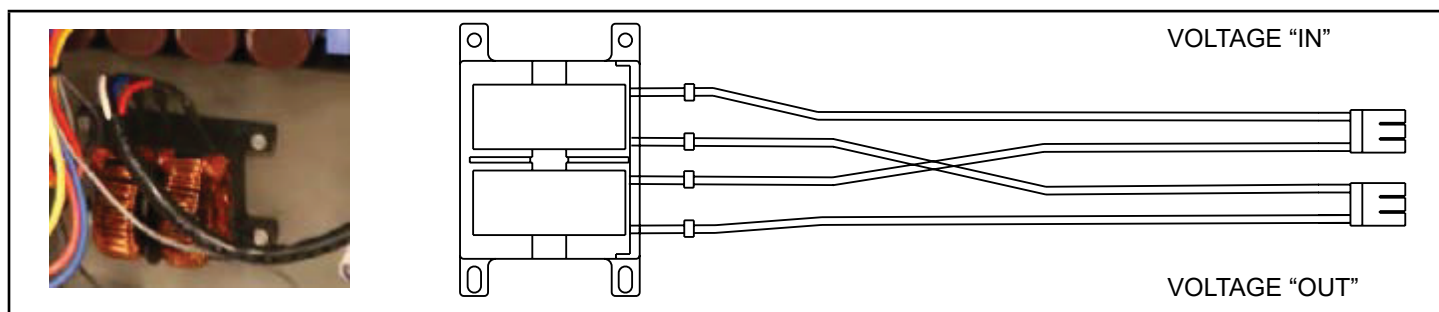


FIGURE 39. HRG18 Reactor

## Outdoor Fan Operation and Checkout

### OPERATION:

The HRG18 units have a variable speed ECM fan motor. The variable speed ECM fan motor is controlled by PWM fan output when the compressor is running and will vary the fan speed to match the compressor capacity.

**LOW AMBIENT OPERATION:**

The HRG18 units have factory installed low ambient cooling mode operation that will control the condenser fan motor based upon liquid line temperature.

The HRG18 units have a variable speed ECM fan motor. The outdoor control will begin to modulate the outdoor fan motor speed is below 65°F to maintain a liquid line sensor temperature between 58°F and 70°F. If the liquid line sensor drops below 55°F the control will cycle the fan off until liquid temperature rises above 58°F.

**CHECKOUT:**

**VAC Voltage Check**

Check for 208/240 VAC power at inverter contactor (red wires) (see Figure 40).

To exit, push and hold the button until three horizontal bars display. Release the button and the outdoor fan will cycle off.

Units with ECM Motor

1. With the unit running, check for 230VAC at the red outdoor fan motor wires at the contactor. If no voltage is present check main power at the contactor.
2. Perform a DC voltage check between the FPWM and Fan C terminal.
3. Using the push button on the control, enter the "fan test mode" in the "field test mode" by pushing and holding the button until solid "-" appears, release the button. Display will start flashing, within 10 seconds, push and hold the button until the "F" symbol displays then release the button. Display will begin to flash "F", within 10 seconds, push and hold the button until it stops flashing, release the button. Outdoor fan motor will cycle on for 10 minutes. To exit, push and hold the button until three horizontal bars display. Release the button and the outdoor fan will cycle off.

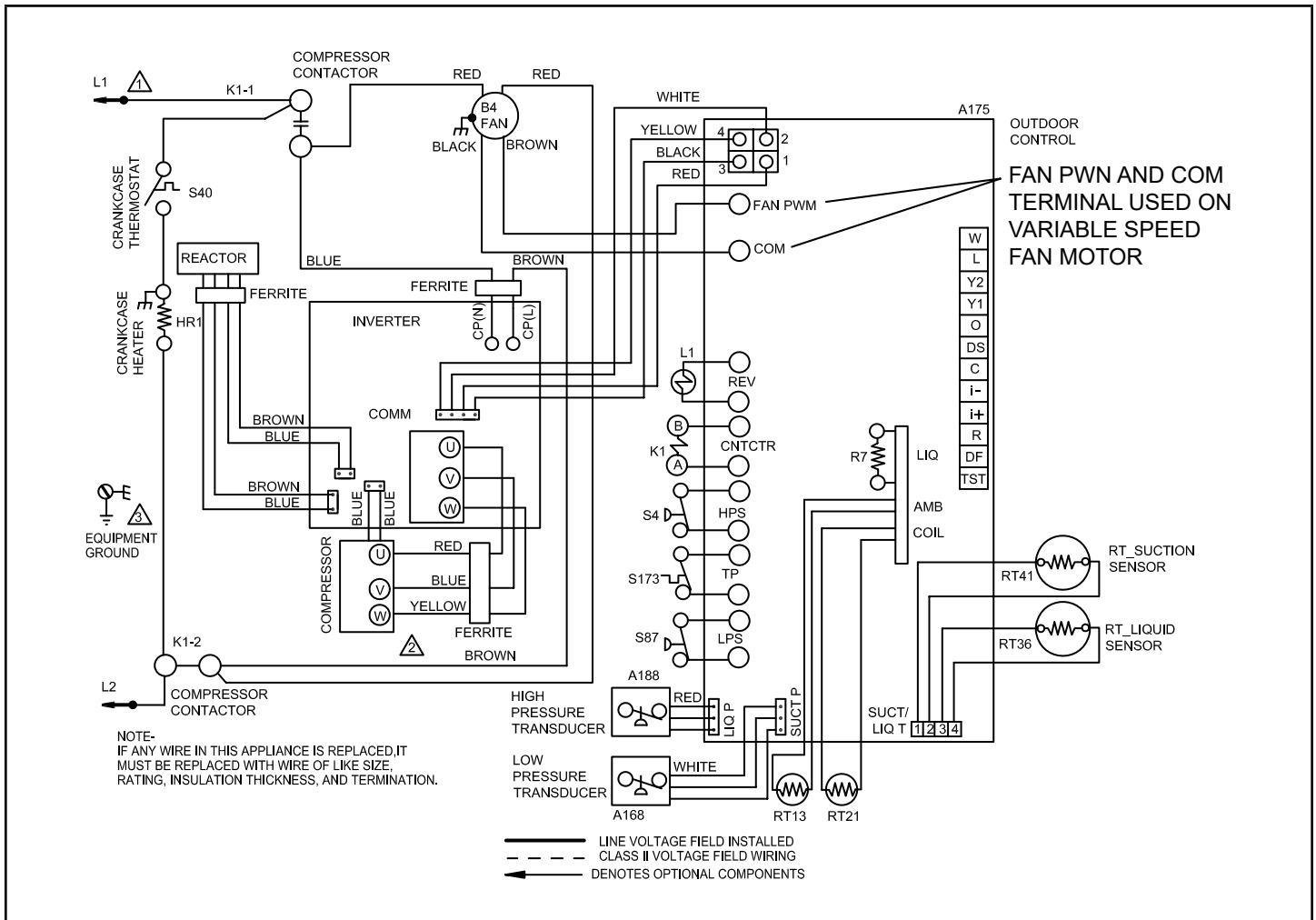


Figure 40. VAC Voltage Check

## Outdoor Control Operation, Checkout and Status / Error Codes

### OPERATION:

The outdoor control is a microprocessor-based device for use with variable-capacity compressors up to 5-tons in capacity operating on 24VAC residential power. The outdoor control integrates the functionality of maintaining compressor speed, and outdoor fan control of ECM motors. The outdoor control is self-configuring. During start-up the outdoor control selects one of two configurations variable-capacity air conditioner or variable-capacity heat pump.

The HRG18 outdoor control provides application flexibility. The HRG18 may be installed with a conventional 24VAC non-communicating single or two stage heat pump thermostat.

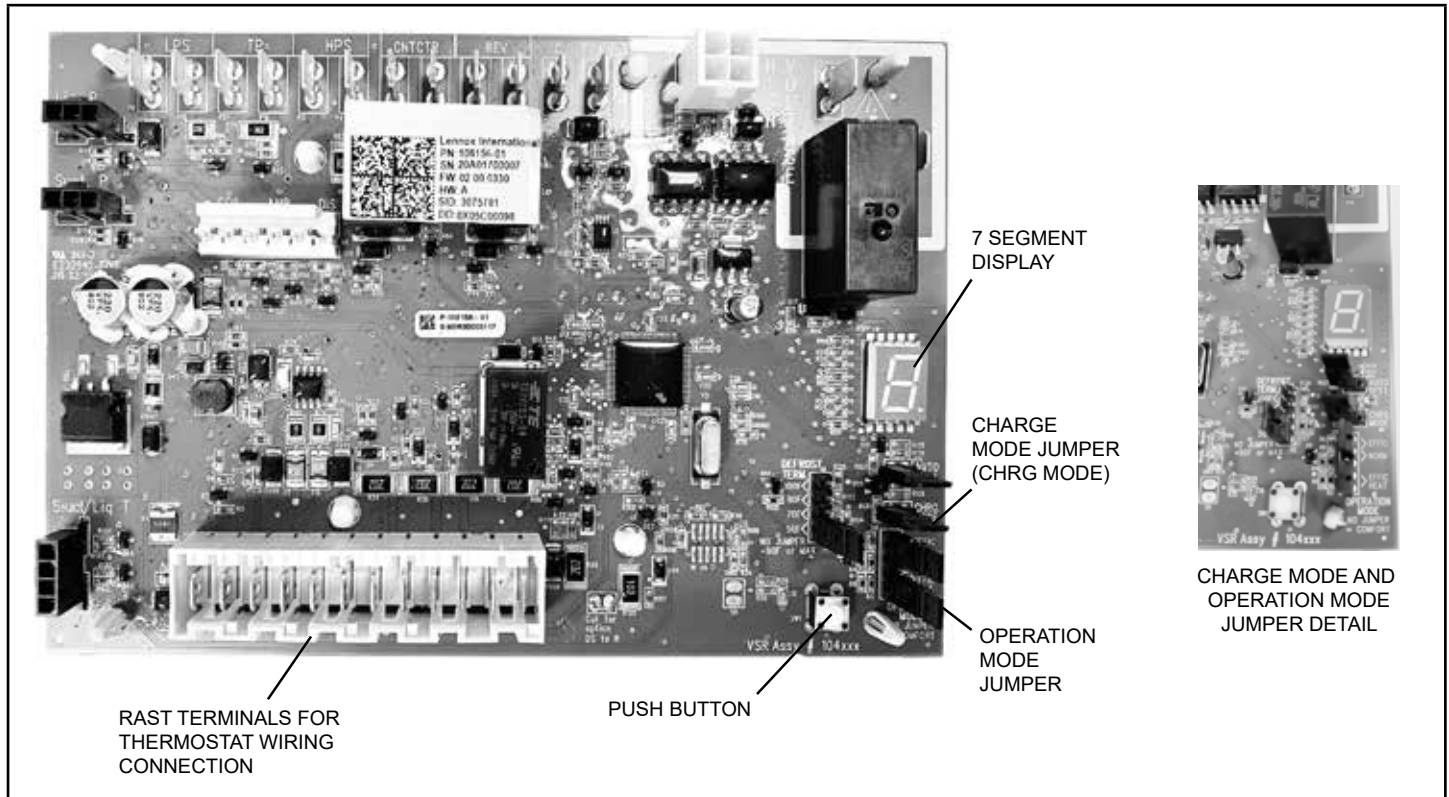


Figure 41. Outdoor Control Unit

NOTE - System fault and lockout codes take precedence over system status codes (cooling, heating operating percentages or defrost/dehumidification). Only the latest active fault or lockout codes are displayed (if present). If no fault or lockout codes are active, then system status codes are displayed. Alert codes are also displayed on the communicating thermostat.

GF= Gas Furnace, AH=Air Handler, ID=Indoor unit (GF or AH), HP=Heat Pump, AC=Air Conditioner, OD=Outdoor Unit (AC or HP), ZA=Zone system and TS=Thermostat

Alert Code	Inverter Flash Code	Priority Condition	Actual Displayed Alert Text	Component or System Operational State and Troubleshooting Tip	How to Clear Alert Code
125		Service Urgent	Control Hardware Problem	There is a hardware problem on a system component control. There is a control hardware problem. Replace the control if the problem prevents operation and is persistent.	Automatically clears five minutes after the issue no longer exists.
132		Service Urgent	Device Control Software Fault	System component control software is corrupted. <ul style="list-style-type: none"> <li>Recycle power.</li> <li>If failure re-occurs, replace the system component control.</li> </ul>	Manual system power reset is required to recover from this alert code.
601		Information Only-Dealer	OD Unit Low Ambient Operational Lockout	<ul style="list-style-type: none"> <li>Outdoor unit has been cycled off on low temperature protection.</li> <li>Outdoor unit will not operate when the outdoor ambient is at or below 4°F (-15.6°C).</li> <li>If the unit is satisfying a demand (running) and the outdoor ambient drops below 4°F (-15.6°C), the unit will continue to operate until the demand has been satisfied or the outdoor ambient drops to 15°F (-9.4°C) which will result in the unit being locked out (shut down).</li> </ul>	Automatically clears when low temperature condition no longer exists.

Table 21. Outdoor Control 7-Segment Display Alert Codes - Outdoor Control Status

## Unit Sensor Operation, Checkout and Status /Error Codes

### OPERATION:

#### 6-Pin Sensor Harness (LIQ, AMB, COIL)

##### Liquid Sensor (R7 - No Sensor)

There is no sensor located on positions 5 and 6 of the connector. A 10K Ohm resistor installed between pins 5 and 6 on the cable harness provides continuity for this circuit.

##### Ambient Temperature Sensor (RT13)

Ambient temperatures, as read by the ambient temperature sensor connected to pin 3 and pin 4, which are below -35°F (-37°C) or above 120°F (48°C) trigger a fault condition. If the ambient sensor is open, shorted, or out of the temperature range of the sensor, the control displays the appropriate alert code. Heating and cooling operation is allowed in this fault condition

##### Coil Temperature Sensor (RT21)

The liquid temperature sensor located on the outlet of the outdoor TXV is connected to pins 5 and 6.

#### 4-Pin Suction Temperature Sensor / Liquid Temperature Sensor Harness

##### Suction Line Sensor (RT41)

Suction line temperature is read by the suction line temperature sensor between Pins 1 and Pin 2 of the 4-pin sensor harness. Nominal Resistance of the sensor is 10K ohms at 77F. The control will display are E182 error code if the sensor reads open or shorted for 24 hours. Cooling operation is allowed with this fault.

##### Liquid Line Temperature Sensor (RT36)

Liquid line temperature is read by the liquid line temperature sensor between Pins 3 and Pin 4 of the 4-pin sensor harness. Nominal Resistance of the sensor is 10K ohms at 77F. The control will display are E184 error code if the sensor reads open or shorted for 24 hours. Cooling operation is allowed with this fault.

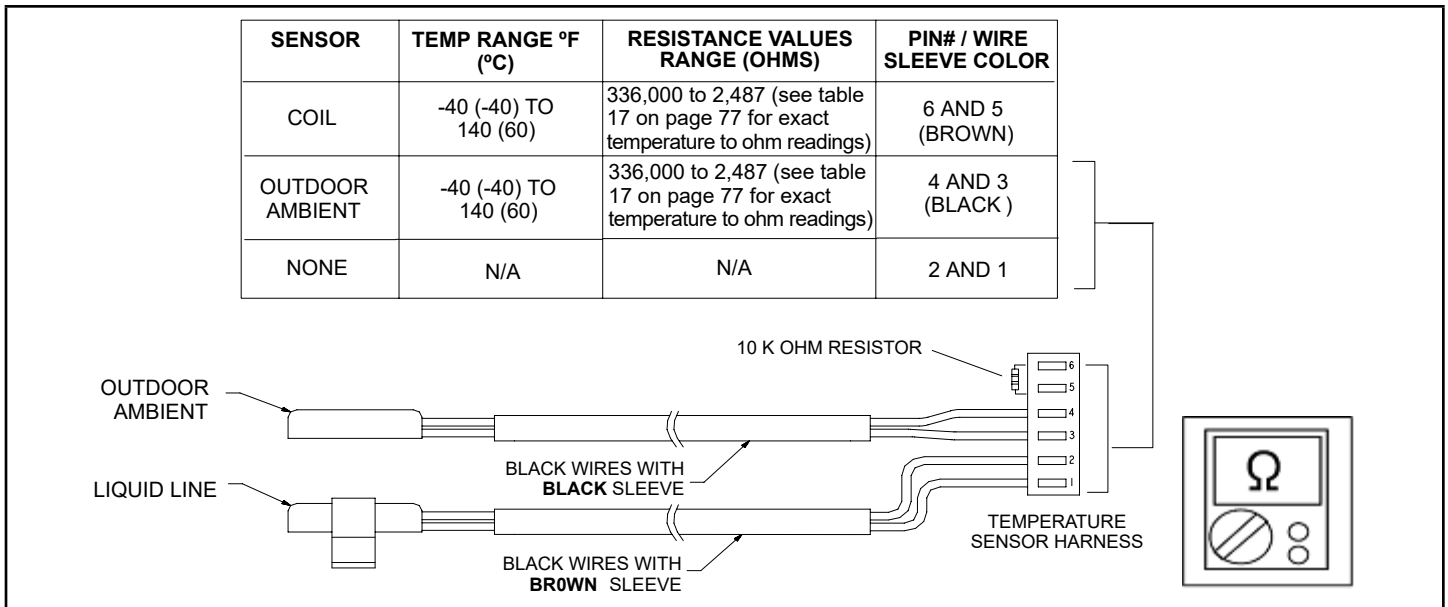
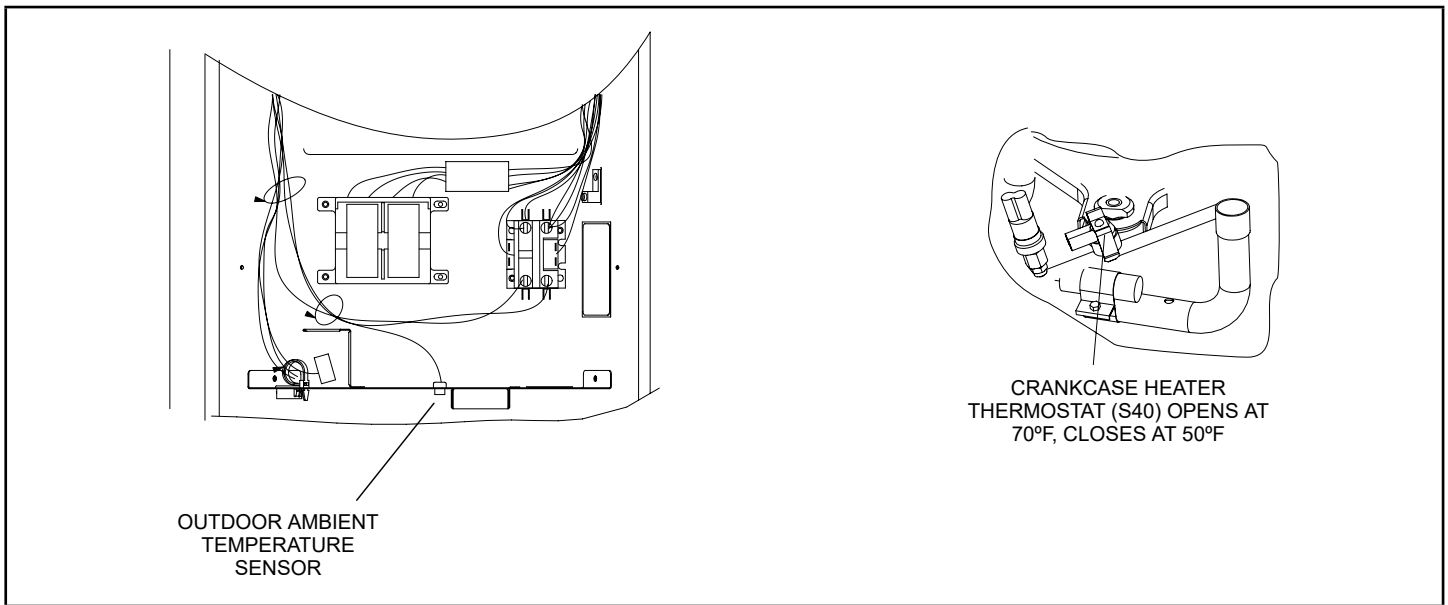


Figure 42. Temperature Sensor Specification

### CHECKOUT:

Sensors connect to the outdoor control through a field-replaceable harness assembly that plugs into the outdoor control. Through the sensors, the control detects outdoor ambient, coil and liquid temperature fault conditions. As the detected temperature changes, the resistance across the sensor changes. Check sensor operation by reading ohms across pins shown in Figure 42.

**NOTE:** When checking the ohms across a sensor, be aware that a sensor showing a resistance value that is not within the range shown in figure 49, may be performing as designed. However, if a shorted or open circuit is detected, then the sensor may be faulty and the sensor harness will need to be replaced.



**Figure 43. Temperature Sensor Locations**

Degrees Fahr- enheit	Resistance	Degrees Fahr- enheit	Resistance	Degrees Fahr- enheit	Resistance	Degrees Fahr- enheit	Resistance
136.3	2680	56.8	16657	21.6	44154	-11.3	123152
133.1	2859	56.0	16973	21.0	44851	-11.9	125787
130.1	3040	55.3	17293	20.5	45560	-12.6	128508
127.3	3223	54.6	17616	20.0	46281	-13.2	131320
124.7	3407	53.9	17942	19.4	47014	-13.9	134227
122.1	3592	53.2	18273	18.9	47759	-14.5	137234
119.7	3779	52.5	18607	18.4	48517	-15.2	140347
117.5	3968	51.9	18945	17.8	49289	-15.9	143571
115.3	4159	51.2	19287	17.3	50074	-16.5	146913
113.2	4351	50.5	19633	16.8	50873	-17.2	150378
111.2	4544	49.9	19982	16.3	51686	-17.9	153974
109.3	4740	49.2	20336	15.7	52514	-18.6	157708
107.4	4937	48.5	20695	15.2	53356	-19.3	161588
105.6	5136	47.9	21057	14.7	54215	-20.1	165624
103.9	5336	47.3	21424	14.1	55089	-20.8	169824
102.3	5539	46.6	21795	13.6	55979	-21.5	174200
100.6	5743	46.0	22171	13.1	56887	-22.3	178762
99.1	5949	45.4	22551	12.5	57811	-23.0	183522
97.6	6157	44.7	22936	12.0	58754	-23.8	188493
96.1	6367	44.1	23326	11.5	59715	-24.6	193691
94.7	6578	43.5	23720	11.0	60694	-25.4	199130
93.3	6792	42.9	24120	10.4	61693	-26.2	204829
92.0	7007	42.3	24525	9.9	62712	-27.0	210805
90.6	7225	41.7	24934	9.3	63752	-27.8	217080
89.4	7444	41.1	25349	8.8	64812	-28.7	223677
88.1	7666	40.5	25769	8.3	65895	-29.5	230621
86.9	7890	39.9	26195	7.7	67000	-30.4	237941
85.7	8115	39.3	26626	7.2	68128	-31.3	245667
84.5	8343	38.7	27063	6.7	69281	-32.2	253834
83.4	8573	38.1	27505	6.1	70458	-33.2	262482
82.3	8806	37.5	27954	5.6	71661	-34.1	271655
81.2	9040	37.0	28408	5.0	72890	-35.1	281400
80.1	9277	36.4	28868	4.5	74147	-36.1	291774
79.0	9516	35.8	29335	3.9	75431	-37.1	302840
78.0	9757	35.2	29808	3.4	76745	-38.2	314669
77.0	10001	34.7	30288	2.8	78090	-39.2	327343
76.0	10247	34.1	30774	2.3	79465		
75.0	10496	33.5	31267	1.7	80873		
74.1	10747	33.0	31766	1.2	82314		
73.1	11000	32.4	32273	0.6	83790		
72.2	11256	31.9	32787	0.0	85302		
71.3	11515	31.3	33309	-0.5	86852		
70.4	11776	30.7	33837	-1.1	88440		
69.5	12040	30.2	34374	-1.7	90068		
68.6	12306	29.6	34918	-2.2	91738		
67.7	12575	29.1	35471	-2.8	93452		
66.9	12847	28.6	36031	-3.4	95211		
66.0	13122	28.0	36600	-4.0	97016		
65.2	13400	27.5	37177	-4.6	98870		
64.4	13681	26.9	37764	-5.2	100775		
63.6	13964	26.4	38359	-5.7	102733		
62.8	14251	25.8	38963	-6.3	104746		
62.0	14540	25.3	39577	-6.9	106817		
61.2	14833	24.8	40200	-7.5	108948		
60.5	15129	24.2	40833	-8.2	111141		
59.7	15428	23.7	41476	-8.8	113400		
59.0	15730	23.2	42130	-9.4	115727		
58.2	16036	22.6	42794	-10.0	118126		
57.5	16345	22.1	43468	-10.6	120600		

Table 22. Ambient and Liquid Line Sensors Temperature / Resistance Range

NOTE - System fault and lockout codes take precedence over system status codes (cooling, heating operating percentages or defrost/dehumidification). Only the latest active fault or lockout codes are displayed (if present). If no fault or lockout codes are active, then system status codes are displayed. Alert codes are also displayed on the communicating thermostat.

GF= Gas Furnace, AH=Air Handler, ID=Indoor unit (GF or AH), HP=Heat Pump, AC=Air Conditioner, OD=Outdoor Unit (AC or HP), ZA=Zone system and TS=Thermostat

Alert Code	Inverter Flash Code	Priority Condition	Actual Displayed Alert Text	Component or System Operational State and Troubleshooting Tip	How to Clear Alert Code
180		Service Soon	Outdoor Temperature Sensor Problem	<p>The thermostat has found a problem with the outdoor sensor in the outdoor unit or the optional outdoor sensor connected to the indoor unit. In normal operation after system component control recognizes sensors, the alert code will be sent if valid temperature reading is lost.</p> <ul style="list-style-type: none"> <li>Compare outdoor sensor resistance to temperature / resistance charts in unit installation instructions. Replace sensor pack or stand alone outdoor sensor.</li> <li>At the beginning of (any) configuration, furnace, air-handler control or equipment interface module will detect the presence of the sensor(s).</li> <li>If detected (reading in range), appropriate feature will be set as 'installed' and shown in the 'About' screen.</li> </ul>	Automatically clears upon configuration, or sensing normal values.
182		Service Soon	OD Suction Temperature Sensor Fault	<ul style="list-style-type: none"> <li>Reading below 0.25V or above 4.75V for 24hrs +/- 3hrs. System will continue to operate normally.</li> </ul>	Resets after 3 consecutive readings that are in range.
183		Service Soon	OD Liquid Pressure Sensor Fault	<ul style="list-style-type: none"> <li>Under 0.25V and above 4.75V readings for 24 hours +/-3hrs or more on the sensor will cause this error.</li> <li>Continue normal operation, see sections related to low pressure switch emulation for specific details related to low pressure switch faults.</li> </ul>	Resets after 3 consecutive readings that are in range.
424		Service Soon	OD Liquid Line Sensor Faulty	<p>The liquid line temperature sensor has malfunctioned.</p> <ul style="list-style-type: none"> <li>In normal operation after outdoor control recognizes sensors, the alert code will be sent if a valid temperature reading is lost.</li> <li>Compare liquid line sensor resistance to temperature / resistance charts in unit installation instructions.</li> <li>Replace sensor pack if necessary.</li> <li>At the beginning of (any) configuration, furnace or air handler control will detect the presence of the sensor(s).</li> <li>If detected (reading in range), appropriate feature will be set as 'installed' and shown in the thermostat 'About' screen.</li> </ul>	Automatically clears upon configuration, or sensing normal values.

**Table 23. Outdoor Control 7-Segment Display Alert Codes – Outdoor Control Errors**

## DC Inverter Control Operation, Checkout, Status / Error Codes

### OPERATION OF COMPONENTS:

Electromagnetic compatibility circuit (EMC): EMC ensures the correct operation of different equipment items which use or respond to electromagnetic phenomena. It also helps to negate the effects of interference.

### CONVERTER:

Converts AC (alternating current) to DC (direct current).

### POWER FACTOR CORRECTION (PFC) CIRCUIT:

The PFC module is an integrated part of the outdoor inverter that monitors the DC bus for high, low and abnormal voltage conditions. If any of these conditions are detected, the PFC function and compressor will stop.

### INTELLIGENT (INVERTER) POWER MODULE (IPM):

The IPM converts DC power into AC power. The control method is known as pulse width modulation (PWM). This means the DC is switched on and off very quickly (chopped) by the transistor switches to make simulated AC at required frequency and voltage.

### COMMUNICATION CONTROL CIRCUIT:

Receives and sends message between the inverter and the outdoor control.

GF= Gas Furnace, AH=Air Handler, ID=Indoor unit (GF or AH), HP=Heat Pump, AC=Air Conditioner, OD=Outdoor Unit (AC or HP), ZA=Zone system and TS=Thermostat							
Alert Code	Inverter Code	Inverter Flash Code		Priority Condition	Actual Displayed Alert Text	Component or System Operational State and Troubleshooting Tip	How to Clear Alert Code
		Red LED	Green LED				
N/A	N/A	ON	OFF	N/A	HRG1836S1P only: Indicates inverter is operating normally.		
N/A	N/A	ON	ON	N/A	HRG1860S1P only: Indicates inverter is operating normally.		
N/A	N/A	OFF	OFF	N/A	Indicates inverter is NOT energized.		
423	40	4 flashes	OFF	Service Soon/ Service Urgent	OD Inverter CT Circuit Fault	<p>The inverter has detected a circuit issue.</p> <ul style="list-style-type: none"> <li>When this condition is detected the outdoor control will stop outdoor unit operations and start the anti-short cycle timer – moderate condition.</li> <li>Outdoor control will lockout unit after 10 strikes within an hour – critical condition.</li> <li>Inverter LEDs will flash code 40</li> <li>Refer to the unit service documentation for troubleshooting procedures.</li> </ul> <p><b>Inverter flash code 40:</b></p> <p>The sequence is: Red LED: Four Flashes Green LED: Off</p> <p><b>NOTE:</b> Inverter normal operations with no error code present is as follows. Red LED is ON and Green LED is OFF.</p>	<p>A moderate alert code will clear automatically when the inverter detects the condition no longer exist and will send a clear alert code message.</p> <p>To clear critical alert code disconnect power to outdoor unit and restart.</p>
426				Service Urgent	OD Excessive Inverter Alarms	<p>After 10 faults within 60 consecutive minutes, the control will lockout. Inverter will flash codes 12 to 14 and 53.</p> <p><b>NOTE:</b> These inverter codes do not count towards this lockout condition.</p>	To clear disconnect power to outdoor control and restart.
427	21	2 flashes	1 flash	Service Soon/ Service Urgent	OD Inverter DC Peak Fault	<p>The inverter has detected a DC peak fault condition.</p> <ul style="list-style-type: none"> <li>If condition (55A or higher) is detected, outdoor unit will stop (compressor and fan) – moderate condition.</li> <li>Anti-short cycle is initiated.</li> <li>If peak current (55A or higher) occurs 10 times within an hour, system will lockout – critical condition.</li> <li>Inverter LEDs will flash code 21.</li> <li>If the unit is a variable capacity heat pump, this error may occur entering or exiting a defrost cycle as the compressor restarts after the 30 second compressor shift delay. If the unit was manufactured prior to serial number 5817F and has frequent alert code 427, then compare the inverter part number to the latest part number listed in the unit repair parts. Units produced after serial number 5817F which is listed on the unit name plate have an inverter with updated software that includes compressor current slope logic to reduce the potential of alert code 427 instances from occurring during defrost. Replace the inverter with the latest inverter if necessary.</li> <li>Refer to the unit service documentation for detailed troubleshooting procedures.</li> </ul> <p><b>NOTE:</b> Serial number format on unit name plate is PPYYMNNNNN (PP = Manufacturing Plant, YY and M represents the year and month made).</p> <p><b>Inverter flash code 21.</b></p> <p>The sequence is:</p> <ul style="list-style-type: none"> <li>Red LED: Two Flashes</li> <li>Green LED: One Flash</li> </ul> <p><b>NOTE:</b> Inverter normal operations with no error code present is as follows. Red LED is ON and Green LED is OFF.</p>	To clear, disconnect and reconnect power to outdoor control.

Table 24. Outdoor Control 7-Segment Display Alert Codes and Inverter LED Flash Codes



GF= Gas Furnace, AH=Air Handler, ID=Indoor unit (GF or AH), HP=Heat Pump, AC=Air Conditioner, OD=Outdoor Unit (AC or HP), ZA=Zone system and TS=Thermostat

Alert Code	Inverter Code	Inverter Flash Code		Priority Condition	Actual Displayed Alert Text	Component or System Operational State and Troubleshooting Tip	How to Clear Alert Code
		Red LED	Green LED				
428	22	2 flashes	2 flashes	Service Soon/ Service Urgent	OD Inverter High Main Input Current	<p>The inverter has detected a high main input current condition.</p> <ul style="list-style-type: none"> <li>If condition is detected, outdoor unit will stop (compressor and fan) – moderate condition.</li> <li>Anti-short cycle is initiated.</li> <li>If condition occurs 10 times within an hour, system will lockout – critical condition.</li> <li>Inverter LEDs will flash code 22.</li> <li>Refer to the unit service documentation for detailed troubleshooting procedures.</li> </ul> <p><b>Inverter flash code 22.</b></p> <p>The sequence is:</p> <ul style="list-style-type: none"> <li>Red LED: Two Flashes</li> <li>Green LED: Two Flashes</li> </ul> <p><b>NOTE:</b> Inverter normal operations with no error code present is as follows. Red LED is ON and Green LED is OFF.</p>	To clear, disconnect power to outdoor unit and restart.
429	23	2 flashes	3 flashes	Service Soon/ Service Urgent	OD Inverter DC Link Low Voltage	<p>The inverter has detected a DC link low voltage condition.</p> <ul style="list-style-type: none"> <li>On a call for compressor operation, if DC link power in inverter does not rise above 180 VDC for 2- and 3-ton models, 250 VDC for 4- and 5-ton models within 30 seconds, the control will display a moderate code.</li> <li>If condition is detected, outdoor unit will stop (compressor and fan) – moderate condition.</li> <li>An anti-short cycle timer is initiated. If condition occurs 10 times within a 60 consecutive minutes, system will lock out and display alert code 429 – critical condition.</li> <li>The outdoor control anti-short cycle timer will time out and the unit will recycle the demand.</li> <li>Inverter LEDs will flash code 23.</li> <li>Refer to the unit service documentation for detailed troubleshooting procedures. Perform test function and verify inverter DC link and line input voltage and current. Also check input to filter board and reactor before replacing inverter board.</li> </ul> <p><b>Inverter flash code 23.</b></p> <p>The sequence is:</p> <ul style="list-style-type: none"> <li>Red LED: Two Flashes</li> <li>Green LED: Three Flashes</li> </ul> <p><b>NOTE:</b> Inverter normal operations with no error code present is as follows. Red LED is ON and Green LED is OFF.</p> <p><b>Troubleshooting Suggestions:</b></p> <ul style="list-style-type: none"> <li><b>Check wire connections (U, V and W) at inverter plug in harness and compressor.</b></li> <li><b>Check the resistance of compressor windings. If not in range, replace compressor.</b></li> <li>Check compressor to ground. If ground issue, replace compressor.</li> <li>Check input power (Single Phase - 208/230VAC ± 10%. If out of range, correct main power issue.</li> <li>Check DC Link voltage and MICOM Sensing voltage. If out of range, replace inverter. if okay, possible mechanical issue with compressor.</li> </ul> <p>Go to outdoor unit service manual for detail troubleshooting procedures and require values for testing DC link voltages and various insulation resistance characteristics.</p>	Automatically clears when the system detects that the issue no longer exists.

Table 24. Outdoor Control 7-Segment Display Alert Codes and Inverter LED Flash Codes

GF= Gas Furnace, AH=Air Handler, ID=Indoor unit (GF or AH), HP=Heat Pump, AC=Air Conditioner, OD=Outdoor Unit (AC or HP), ZA=Zone system and TS=Thermostat

Alert Code	Inverter Code	Inverter Flash Code		Priority Condition	Actual Displayed Alert Text	Component or System Operational State and Troubleshooting Tip	How to Clear Alert Code
		Red LED	Green LED				
430	26	2 flashes	6 flashes	Service Soon/ Service Urgent	OD Inverter Compressor Startup Fail	<p>Compressor start-up failure.</p> <ul style="list-style-type: none"> <li>If condition is detected, outdoor unit will stop (compressor and fan) – moderate condition.</li> <li>Anti-short cycle is initiated.</li> <li>If condition occurs 10 times within 60 consecutive minutes, the system will lockout – critical condition.</li> <li>Inverter LEDs will flash code 26.</li> <li>Refer to the unit service documentation for detailed troubleshooting procedures.</li> </ul> <p><b>Inverter flash code 26.</b></p> <p>The sequence is:</p> <ul style="list-style-type: none"> <li>Red LED: Two Flashes</li> <li>Green LED: Six Flashes</li> </ul> <p><b>NOTE:</b> Inverter normal operations with no error code present is as follows. Red LED is ON and Green LED is OFF.</p> <ul style="list-style-type: none"> <li>Check refrigerant</li> <li>Replace outdoor control board</li> <li>Replace inverter.</li> </ul>	To clear, disconnect power to outdoor unit and restart.
431	27	2 flashes	7 flashes	Service Soon/ Service Urgent	OD Inverter PFC Fault	<p>The inverter has detected a PFC circuit over-current condition.</p> <ul style="list-style-type: none"> <li>Error occurs when PFC detects an over current condition of 100A peak.</li> <li>If condition is detected, outdoor unit will stop (compressor and fan) – moderate condition.</li> <li>Anti-short cycle timer is initiated.</li> <li>If condition occurs 10 times within 60 consecutive minutes, the system will lockout – critical condition.</li> <li>Inverter LEDs will flash code 27.</li> <li>Refer to the unit service documentation for detailed troubleshooting procedures.</li> </ul> <p><b>Inverter flash code 27.</b></p> <p>The sequence is:</p> <ul style="list-style-type: none"> <li>Red LED: Two Flashes</li> <li>Green LED: Seven Flashes</li> </ul> <p><b>NOTE:</b> Inverter normal operations with no error code present is as follows. Red LED is ON and Green LED is OFF.</p>	To clear, disconnect power to outdoor unit and restart.

Table 24. Outdoor Control 7-Segment Display Alert Codes and Inverter LED Flash Codes

GF= Gas Furnace, AH=Air Handler, ID=Indoor unit (GF or AH), HP=Heat Pump, AC=Air Conditioner, OD=Outdoor Unit (AC or HP), ZA=Zone system and TS=Thermostat

Alert Code	Inverter Code	Inverter Flash Code		Priority Condition	Actual Displayed Alert Text	Component or System Operational State and Troubleshooting Tip	How to Clear Alert Code
		Red LED	Green LED				
432	28	2 flashes	8 flashes	Service Soon/ Service Urgent	OD Inverter DC Link High Voltage	<p>The inverter has detected a DC link high voltage condition.</p> <ul style="list-style-type: none"> <li>• Error occurs when the DC link capacitor voltage is greater than 480 VDC.</li> <li>• If condition is detected, outdoor unit will stop (compressor and fan) – moderate condition.</li> <li>• Anti-short cycle timer is initiated.</li> <li>• If condition occurs 10 times within 60 consecutive minutes, the system will lockout – critical condition.</li> <li>• Inverter LEDs will flash code 28.</li> <li>• Refer to the unit service documentation for detailed troubleshooting procedures.</li> </ul> <p><b>Inverter flash code 28.,</b></p> <p>The sequence is:</p> <ul style="list-style-type: none"> <li>• Red LED: Two Flashes</li> <li>• Green LED: Eight Flashes</li> </ul> <p><b>NOTE:</b> Inverter normal operations with no error code present is as follows. Red LED is ON and Green LED is OFF.</p> <p><b>Troubleshooting Suggestions:</b></p> <ul style="list-style-type: none"> <li>• Check wire connections (U, V and W) at inverter plug in harness and compressor.</li> <li>• Check the resistance of compressor windings. If not in range, replace compressor.</li> <li>• Check compressor to ground. If ground issue, replace compressor.</li> <li>• Check input power (Single Phase - 208/230VAC ± 10%. If out of range, correct main power issue.</li> <li>• Check DC Link voltage and MICOM Sensing voltage. If out of range, replace inverter. if okay, possible mechanical issue with compressor.</li> </ul> <p>Go to outdoor unit service manual for detail troubleshooting procedures and require values for testing DC link voltages and various insulation resistance characteristics.</p>	To clear, disconnect power to outdoor unit and restart.

**Table 24. Outdoor Control 7-Segment Display Alert Codes and Inverter LED Flash Codes**

GF= Gas Furnace, AH=Air Handler, ID=Indoor unit (GF or AH), HP=Heat Pump, AC=Air Conditioner, OD=Outdoor Unit (AC or HP), ZA=Zone system and TS=Thermostat

Alert Code	Inverter Code	Inverter Flash Code		Priority Condition	Actual Displayed Alert Text	Component or System Operational State and Troubleshooting Tip	How to Clear Alert Code
		Red LED	Green LED				
433	29	2 flashes	9 flashes	Service Soon/ Service Urgent	OD Inverter Compressor Over-current	<p>Compressor phase current is too high.</p> <ul style="list-style-type: none"> <li>• During initial startup, a six minute time delay is implement to prevent the alarm from occurring.</li> <li>• Error occurs when compressor peak phase current is greater than 28 amps.</li> <li>• Inverter will issue inverter code 14 first and slow down to try to reduce the current.</li> <li>• If the current remains high, outdoor unit will stop (compressor and fan) – moderate condition.</li> <li>• Cycle timer is initiated.</li> <li>• If condition occurs five times within 60 consecutive minutes, the system will lockout – critical condition.</li> <li>• This alert code may be triggered by the inverter or the Comfort-Aire or Century variable capacity outdoor (inverter controlled) unit.</li> <li>• Comfort-Aire or Century outdoor control may trigger an this alert code if the inverter reduces the compressor speed which is identified as a alert code 441 and the compressor speed (in hz) is below the minimum speed. This will typically occur at start-up. The inverter automatically increases the compressor minimum speed below 45°F in the heating mode and above 115°F ensure the compressor capacity is sufficient for oil return. If alert code 433 occurs and inverter does not indicate an inverter code 29, the Comfort-Aire or Century communicating Comfort-Aire or Century outdoor control triggered the alert code 433.</li> <li>• Inverter LEDs will flash code 29.</li> <li>• Refer to the unit service documentation for detailed troubleshooting procedures.</li> </ul> <p><b>Inverter flash code 29.</b></p> <p>The sequence is:</p> <ul style="list-style-type: none"> <li>• Red LED: Two Flashes</li> <li>• Green LED: Nine Flashes</li> </ul> <p><b>NOTE:</b> Inverter normal operations with no error code present is as follows. Red LED is ON and Green LED is OFF.</p>	To clear alert code disconnect power to both the indoor and outdoor units and then reconnect power. Restart system.

Table 24. Outdoor Control 7-Segment Display Alert Codes and Inverter LED Flash Codes

GF= Gas Furnace, AH=Air Handler, ID=Indoor unit (GF or AH), HP=Heat Pump, AC=Air Conditioner, OD=Outdoor Unit (AC or HP), ZA=Zone system and TS=Thermostat

Alert Code	Inverter Code	Inverter Flash Code		Priority Condition	Actual Displayed Alert Text	Component or System Operational State and Troubleshooting Tip	How to Clear Alert Code
		Red LED	Green LED				
434	53	5 flashes	3 flashes	Service Soon/ Service Urgent	OD Inverter Comm Error to Main Control	<ul style="list-style-type: none"> <li>Outdoor control has lost communications with the inverter continuously during a single thermostat call and one hour period.</li> <li>Outdoor control will stop all compressor demands – moderate condition.</li> <li>Indoor blower will stop functioning.</li> </ul> <p><b>NOTE:</b> Indoor blower will not run in test mode either when alert code 434 is active. Only after system reset will it operate.</p> <ul style="list-style-type: none"> <li>This alert code will occur if the outdoor unit power is turned off and the indoor unit power (24VAC to Comfort-Aire or Century outdoor control) remains on, or if the indoor unit power is turned off (24VAC to Comfort-Aire or Century outdoor control) and the outdoor unit power is on. This could occur while performing service or maintenance procedures on the indoor or outdoor unit.</li> <li>The Comfort-Aire or Century outdoor control will attempt to re-establish communication to the inverter when the alert code 434 occurs by cycling the outdoor unit contactor off for two minutes. Upon energizing the contactor the Comfort-Aire or Century outdoor control will attempt to communicate to the inverter for three minutes. This process will be repeated three times in attempt to establish communication before locking out.</li> <li>If the unit is locked out with a critical alert code 434, reset the system by cycling the outdoor unit power off and back on. Then cycle the indoor power off (24VAC to the Comfort-Aire or Century outdoor control) and then back on.</li> <li>If this condition continuously occurs during a one hour period and during a single thermostat call, the outdoor unit will lock out and display alert code 434 – critical condition.</li> </ul> <p><b>Troubleshooting Options:</b></p> <ul style="list-style-type: none"> <li>Check for loose or disconnected electrical connections.</li> <li>Interruption of main power to inverter.</li> <li>Inverter LEDs will flash code 53.</li> <li>Refer to the unit service documentation for detailed troubleshooting procedures.</li> </ul> <p><b>Inverter flash code 53.</b></p> <p>The sequence is:</p> <ul style="list-style-type: none"> <li>Red LED: Five Flashes</li> <li>Green LED: Three Flashes</li> </ul> <p><b>NOTE:</b> Inverter normal operations with no error code present is as follows. Red LED is ON and Green LED is OFF</p>	<p>Automatically clears when the system detects that the issue no longer exists.</p> <p>If the unit is locked out with a critical alert code 434, reset the system by first cycling the outdoor unit power off and back. Then cycle the indoor power off (24VAC to the Comfort-Aire or Century outdoor control) and then back on.</p>
435	60	6 flashes	OFF	Service Urgent	OD Inverter EEPROM Checksum fault	<p>Inverter internal error.</p> <ul style="list-style-type: none"> <li>When this error occurs, the outdoor control will cycle power to the inverter by opening the contactor for two minutes – moderate condition.</li> <li>Outdoor control will cycle power to the inverter three times and then outdoor unit is locked out – critical condition.</li> <li>Inverter LEDs will flash code 60.</li> <li>Refer to the unit service documentation for detailed troubleshooting procedures.</li> </ul> <p><b>Inverter flash code 60.</b></p> <p>The sequence is:</p> <ul style="list-style-type: none"> <li>Red LED: Six Flashes</li> <li>Green LED: Off</li> </ul> <p><b>NOTE:</b> Inverter normal operations with no error code present is as follows. Red LED is ON and Green LED is OFF.</p>	<p>To clear alert code disconnect power to outdoor unit and restart.</p>

Table 24. Outdoor Control 7-Segment Display Alert Codes and Inverter LED Flash Codes

GF= Gas Furnace, AH=Air Handler, ID=Indoor unit (GF or AH), HP=Heat Pump, AC=Air Conditioner, OD=Outdoor Unit (AC or HP), ZA=Zone system and TS=Thermostat

Alert Code	Inverter Code	Inverter Flash Code		Priority Condition	Actual Displayed Alert Text	Component or System Operational State and Troubleshooting Tip	How to Clear Alert Code
		Red LED	Green LED				
436	62	6 flashes	2 flashes	Service Soon/ Service Urgent	OD Inverter High Heat-Sink Temperature	<p>Inverter heat sink temperature exceeded limit.</p> <ul style="list-style-type: none"> <li>This occurs when the heat sink temperature exceeds the inverter limit. Inverter will issue inverter alert code 13 first and slow down to try to cool the heat sink.</li> <li>If temperature remains high, outdoor unit will stop both compressor and fan – moderate condition.</li> <li>Anti-short cycle is initiated.</li> <li>If condition occurs five times within an hour, system will lockout – critical condition.</li> <li>The screws that hold the inverter to the inverter board were loose causing poor contact between these two components.</li> <li>Tighten screws that hold the heat sink to the inverter control board.</li> </ul> <p><b>NOTE:</b> Wait five minutes for all capacitors to discharge before checking screws.</p> <ul style="list-style-type: none"> <li>Inverter LEDs will flash code 62.</li> <li>Refer to the unit service documentation for detailed troubleshooting procedures.</li> </ul> <p><b>Inverter flash code 62.</b></p> <p>The sequence is:</p> <ul style="list-style-type: none"> <li>Red LED: Six Flashes</li> <li>Green LED: Two Flashes</li> </ul> <p><b>NOTE:</b> Inverter normal operations with no error code present is as follows. Red LED is ON and Green LED is OFF.</p>	<p>Moderate condition will automatically clear when the inverter sends an alert code clear message.</p> <p>Critical condition is cleared by disconnecting power to the outdoor unit and restart.</p>
437	65	6 flashes	5 flashes	Service Soon/ Service Urgent	OD Inverter Heat-Sink temp Sensor Fault	<p>Heat sink temperature sensor fault has occurred (temperature less than 4°F or greater than 264°F after 10 minutes of operation).</p> <ul style="list-style-type: none"> <li>When the temperature sensor detects a temperature less than 4°F or greater than 264°F after 10 minutes of operation.</li> <li>Outdoor unit will stop both compressor and fan – moderate condition.</li> <li>Anti-short cycle is initiated.</li> <li>If condition occurs five times within an hour, system will lockout – critical condition.</li> <li>Inverter LEDs will flash code 65.</li> <li>Refer to the unit service documentation for detailed troubleshooting procedures.</li> </ul> <p><b>Inverter flash code 65.</b></p> <p>The sequence is:</p> <ul style="list-style-type: none"> <li>Red LED: Six Flashes</li> <li>Green LED: Five Flashes</li> </ul> <p><b>NOTE:</b> Inverter normal operations with no error code present is as follows. Red LED is ON and Green LED is OFF.</p>	<p>Moderate priority condition will automatically clear when the inverter sends an alert code clear message.</p> <p>Critical priority condition can be cleared by disconnecting and reconnecting power to outdoor unit to restart.</p>

Table 24. Outdoor Control 7-Segment Display Alert Codes and Inverter LED Flash Codes

GF= Gas Furnace, AH=Air Handler, ID=Indoor unit (GF or AH), HP=Heat Pump, AC=Air Conditioner, OD=Outdoor Unit (AC or HP), ZA=Zone system and TS=Thermostat

Alert Code	Inverter Code	Inverter Flash Code		Priority Condition	Actual Displayed Alert Text	Component or System Operational State and Troubleshooting Tip	How to Clear Alert Code
		Red LED	Green LED				
438	73	7 flashes	3 flashes	Service Urgent	OD Inverter PFC Input Over-current	<p>The inverter has detected a power factor correction (PFC) circuit over-current condition.</p> <ul style="list-style-type: none"> <li>The inverter has detected an PFC over current condition. This may be caused by a high load condition, high pressure, or outdoor fan failure.</li> <li>Outdoor control will display the code when the inverter has detected the error – moderate condition.</li> <li>After three minutes, the inverter will reset and the compressor will resume operation.</li> <li>If the error condition occurs 10 times within a 60 minute rolling time period, the outdoor unit control will lock out operation of the outdoor unit – critical condition.</li> <li>Possible issue is system running at high pressures.</li> <li>Check for high pressure trips or other alert codes in thermostat and outdoor control.</li> <li>Inverter LEDs will flash code 73.</li> <li>Refer to the unit service documentation for detailed troubleshooting procedures.</li> </ul> <p><b>Inverter flash code 73.</b></p> <p>The sequence is:</p> <ul style="list-style-type: none"> <li>Red LED: Seven Flashes</li> <li>Green LED: Three Flashes</li> </ul> <p><b>NOTE:</b> Inverter normal operations with no error code present is as follows. Red LED is ON and Green LED is OFF.</p>	<p>Moderate priority condition is automatically cleared when the inverter sends a clear message.</p> <p>Critical priority condition will automatically clear when inverter is power cycled.</p>

**Table 24. Outdoor Control 7-Segment Display Alert Codes and Inverter LED Flash Codes**

GF= Gas Furnace, AH=Air Handler, ID=Indoor unit (GF or AH), HP=Heat Pump, AC=Air Conditioner, OD=Outdoor Unit (AC or HP), ZA=Zone system and TS=Thermostat							
Alert Code	Inverter Code	Inverter Flash Code		Priority Condition	Actual Displayed Alert Text	Component or System Operational State and Troubleshooting Tip	How to Clear Alert Code
		Red LED	Green LED				
440	13	1 flash	3 flashes	Information Only-Dealer	OD Inverter Compressor Slowdown - High Heat-Sink temperature	<p>Compressor slowdown due to high heat sink temperature.</p> <ul style="list-style-type: none"> <li>Heat sink temperature is approaching limit.</li> <li>The compressor speed automatically slows to reduce heat sink temperature.</li> <li>The control sets indoor CFM and outdoor RPM to values according to demand percentage rather than the actual Hz.</li> <li>The screws that hold the inverter to the inverter board may be loose causing poor contact between these two components.</li> <li>Tighten screws that hold the heat sink to the inverter control board.</li> </ul> <p><b>NOTE:</b> Wait five minutes for all capacitors to discharge before checking screws.</p> <ul style="list-style-type: none"> <li>This error code is primarily for informational purposes as the inverter controls the compressor speed to operate within design parameters. Typically the inverter will make a minor speed reduction of 4 Hz (approximately a 5-6% speed reduction) for a brief period of time and to reduce the heat sink temperature and will then resume normal operation. This may occur at high outdoor temperatures (above 110°F) for brief periods of time (3 – 4 minutes) and is normal and expected operation of the inverter controlling the compressor safely within design parameters.</li> <li>The inverter finned aluminum heat sink is located on the back side of the inverter in the condenser air stream. If the alert code 440 occur frequently, especially at lower outdoor temperatures, check the heat sink for debris that may reduce heat transfer or possible obstructions that may impact air flow across the heat sink.</li> <li>The inverter will begin to briefly reduce the compressor speed when the heat sink temperature rises above 185°F and will allow the inverter to resume the requested compressor demand speed once the inverter heat sink reaches 176°F. The heat sink temperature, compressor speed in Hertz &amp; the Inverter Compressor Speed Reduction status ("On" or "Off ") notification can be viewed under the outdoor unit Diagnostics section of the thermostat dealer control center.</li> <li>Inverter LEDs will flash code 13.</li> <li>Refer to the unit service documentation for detailed troubleshooting procedures.</li> </ul> <p><b>Inverter flash code 13.</b></p> <p>The sequence is:</p> <ul style="list-style-type: none"> <li>Red LED: One Flash</li> <li>Green LED: Three Flashes</li> </ul> <p><b>NOTE:</b> Inverter normal operations with no error code present is as follows. Red LED is ON and green LED is OFF.</p>	Automatically clears when the condition no longer exists.

Table 24. Outdoor Control 7-Segment Display Alert Codes and Inverter LED Flash Codes



GF= Gas Furnace, AH=Air Handler, ID=Indoor unit (GF or AH), HP=Heat Pump, AC=Air Conditioner, OD=Outdoor Unit (AC or HP), ZA=Zone system and TS=Thermostat

Alert Code	Inverter Code	Inverter Flash Code		Priority Condition	Actual Displayed Alert Text	Component or System Operational State and Troubleshooting Tip	How to Clear Alert Code
		Red LED	Green LED				
441	14	1 flash	4 flashes	Information Only-Dealer	OD Inverter Compressor Slowdown - High Compressor Current	<p>This alert code is for more information than an issue with the system.</p> <ul style="list-style-type: none"> <li>When the inverter gets close to the current or heat sink temperature limit, it will limit the ramp rate. Instead of changing compressor speed at 1 hz/second, it changes to 5 hz/20 seconds.</li> <li>Compressor slowdown due to high compressor current.</li> <li>Compressor current is approaching limit.</li> <li>The compressor speed automatically slows.</li> <li>This error code is primarily for informational purposes as the inverter controls the compressor to operate within design parameters. Alert code 441 typically occurs at startup as the compressor current increases rapidly during startup.</li> <li>The inverter will reduce the compressor speed by 4 Hz and slow the compressor ramp up speed to the requested compressor demand speed (capacity). This is normal and expected operation of the inverter to control the inverter within design parameters. In most cases the alert code 441 notification does not require any additional service or diagnostic procedures.</li> <li>The control sets indoor CFM and outdoor RPM to values according to demand percentage rather than the actual Hz.</li> <li>Possible issue is system running at high pressures.</li> <li>Check for high pressure trips or other alert codes in thermostat and outdoor control.</li> <li>Inverter LEDs will flash code 14.</li> <li>Refer to the unit service documentation for detailed troubleshooting procedures.</li> </ul> <p><b>Inverter flash code 14.</b></p> <p>The sequence is:</p> <ul style="list-style-type: none"> <li>Red LED: One Flash</li> <li>Green LED: Four Flashes</li> </ul> <p><b>NOTE:</b> Inverter normal operations with no error code present is as follows. Red LED is ON and green LED is OFF.</p>	Automatically clears when the condition no longer exists.

**Table 24. Outdoor Control 7-Segment Display Alert Codes and Inverter LED Flash Codes**

**HRG18 HFC-410A CHARGING INFORMATION - FOR COMPLETE CHARGING PROCEDURES, REFER TO THE APPLICABLE INSTALLATION AND SERVICE MANUAL**

**Maintenance checks using the Normal Operating Pressures table**

Table 1 may be used to help perform maintenance checks. This table is not a procedure for charging the system. Minor variations in the pressures can be expected due to differences in installations. However, significant deviations could mean that the system is not properly charged or that a problem exists with some component in the system.

**Matched System Components/Charge Levels/Line Set Length/Liquid Line Sizing**

Table 2 lists all the Lennox recommended indoor unit matches along with the charge levels for the various sizes of outdoor units. Charge levels on the unit nameplate are based on installations with 15' (4.6m) line sets; consider line set length and liquid line sizing differences when calculating charge adjustments. For each additional foot of 3/8" liquid line set, add 0.6 ounces or for 1/2" liquid lines, add 1.0 ounce of additional charge.

**Charge Using the Weigh-in Method**

If the system is void of refrigerant, locate and repair any leaks and then weigh in the refrigerant charge into the unit. For charge adjustments, be sure to consider line set length differences and, referring to table 2, adjust for the matchup difference.

1 - Recover the refrigerant from the unit.

2 - Conduct leak check; evacuate the system.

3 - Weigh in the unit nameplate charge, adjusting for matchup and line set length differences. If weighing facilities are not available use the Subcooling method.

**Charge Using the Subcooling Method**

**Cooling Mode**-When the outdoor ambient temperature is 60°F (15°C) and above, use the cooling mode to adjust the charge using the subcooling method. Target subcooling values in table 2 are based on 70 to 80°F (21-27°C) indoor return air temperature.

**Heating Mode**-When the outdoor ambient temperature is below 60°F (15°C), use the heating mode to adjust the charge using the subcooling charge levels (table). Target subcooling values in table 2 are based on 65-75°F (18-24°C) indoor return air temperature.

TABLE -1 NORMAL OPERATING PRESSURES (LIQUID ±10 AND SUCTION ±5 psig)

HRG18 °F	LIQUID LINE PRESSURE / VAPOR LINE PRESSURE			HEATING OPERATION - MAX SPEED		
	2 TON MODE	3 TON MODE	4 TON MODE	5 TON MODE	5 TON MODE	5 TON MODE
20	287/65	275/51	342/59	326/53		
30	329/78	318/69	345/67	347/62		
40	367/92	340/76	376/82	364/75		
50	379/110	358/96	407/99	374/92		
60	397/129	375/113	422/118	392/110		
	COOLING OPERATION - MAX SPEED					
65	230/143	247/128	236/134	237/121		
70	245/144	270/132	255/136	258/124		
75	266/144	291/136	276/135	278/126		
80	287/145	318/141	297/136	299/127		
85	309/147	338/142	319/138	322/128		
90	332/149	362/144	344/138	345/129		
95	356/149	393/145	368/140	370/129		
100	383/151	415/147	392/143	396/130		
105	410/152	432/148	418/146	423/132		
110	433/154	471/150	422/147	452/133		
115	468/155	506/150	473/148	479/135		

TABLE -2 INDOOR UNIT MATCHUPS AND SUBCOOLING CHARGE LEVELS

INDOOR MATCHUP	SUBCOOL		INDOOR MATCHUP	SUBCOOL		ADDNL CHARGE LBS/OZ
	HEATING (±5°F)	COOLING (±1°F)		HEATING (±5°F)	COOLING (±1°F)	
HMG24*IP / HCG24VIP	2 TON MODE		HMG48*IP / HCG48VIP	4 TON MODE		8 OZ
	36	9		23.5	6	
HMG30*IP / HCG30VIP	2 TON MODE		HMG60*IP / HCG60VIP	5 TON MODE		7 OZ
	29	10		13	6	
HMG36*IP / HCG36VIP	3 TON MODE					
	15	11				
HMG42*IP / HCG42VIP	3 TON MODE					
	16	8				
INDOOR MATCHUP	SUBCOOL		INDOOR MATCHUP	SUBCOOL		ADDNL CHARGE
	HEATING (+/- 5°F)	COOLING (+/- 1°F)		HEATING (+/- 5°F)	COOLING (+/- 1°F)	
(C,M)CG24P(A,B,C)4P (C,M)CG24T(A,B,C)4P (C,M)CG3036P(A,B,C)4P (C,M)CG3036T(A,B,C)4P	2 TON MODE		(C,M)CG60P(C,D)JAP (C,M)CG60T(C,D)JAP	4 TON MODE		1 LB 15 OZ 10 OZ
	28	7		18	9	
	16	4		15.5	6.5	
	3 TON MODE			5 TON MODE		
(C,M)CG30P(A,B,C)5P (C,M)CG30T(A,B,C)5P	3 TON MODE		(C,M)CG60P(C,D)JAP (C,M)CG60T(C,D)JAP	5 TON MODE		10 OZ
	26	18.5		15.5	8.5	
(C,M)CG36P(A,B,C)7P (C,M)CG36T(A,B,C)7P	3 TON MODE		(C,M)CG60P(C,D)JBP (C,M)CG60T(C,D)JBP	5 TON MODE		1 LB 4 OZ
	26	18.5		16	7.5	

\*Amount of charge required in addition to charge shown on unit nameplate. (Remember to consider line set length.)





---

Due to ongoing product improvements, specifications and dimensions are subject to change and correction without notice or incurring obligations. Determining the application and suitability for use of any product is the responsibility of the installer. Additionally, the installer is responsible for verifying dimensional data on the actual product prior to beginning any installation preparations.

Incentive and rebate programs have precise requirements as to product performance and certification. All products meet applicable regulations in effect on date of manufacture; however, certifications are not necessarily granted for the life of a product. Therefore, it is the responsibility of the applicant to determine whether a specific model qualifies for these incentive/rebate programs.

*Comfort-Aire*®  **Century**®

1900 Wellworth Ave., Jackson, MI 49203 • Ph. 517-787-2100 • [www.marsdelivers.com](http://www.marsdelivers.com)

